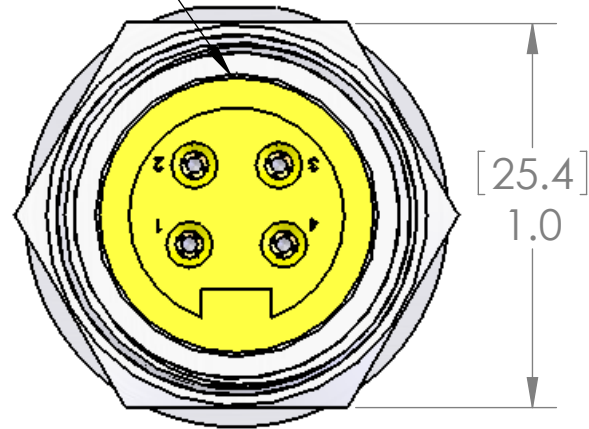


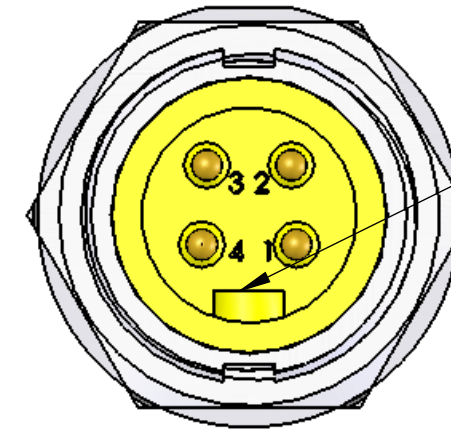
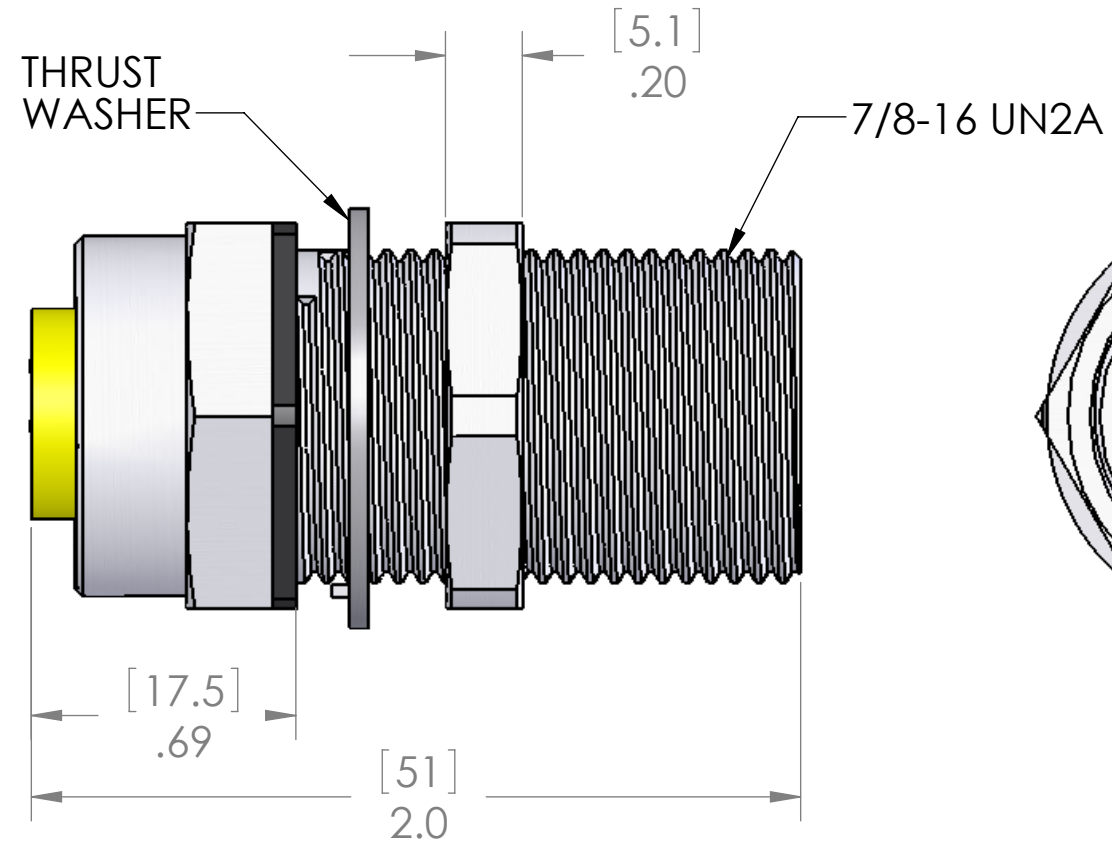
WIRING		
MALE		FEMALE
PIN #1	-----	PIN #1
PIN #2	-----	PIN #2
PIN #3	-----	PIN #3
PIN #4	-----	PIN #4

REVISIONS			
REV.	DESCRIPTION	DATE	APPROVED
A	REDRAWN IN SW	12/7/2015	

7/8-16 UN2B  
FEMALE  
THREAD

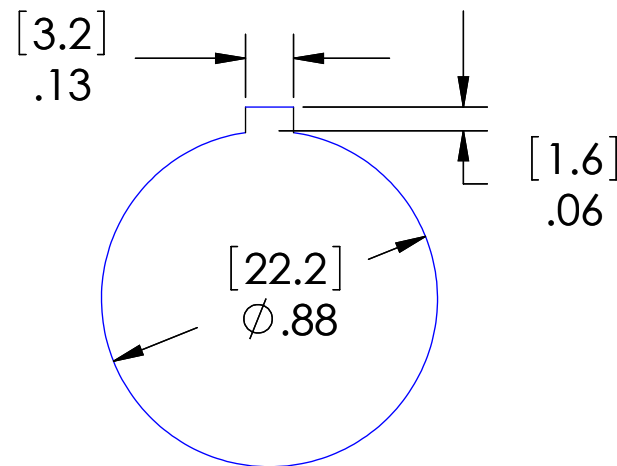


FEMALE



MALE

KEYWAY  
IN LINE  
WITH SLOT



CUTOUT

MATERIALS:	
SHELL:	CLEAR ANODIZED ALUMINUM
INSERTS:	PVC
CONTACTS:	GOLD PLATED COPPER ALLOY
JAM NUT:	CLEAR ANODIZED ALUMINUM
THRUST WASHER:	ZINC DIE CAST
GASKET:	BUNA-N

APPROVALS:	
US:	UL LISTED
CANADA:	C-UL LISTED

**PROPRIETARY AND CONFIDENTIAL**  
THE INFORMATION CONTAINED IN THIS DRAWING IS THE SOLE PROPERTY OF MENCOM CORPORATION. ANY REPRODUCTION IN PART OR AS A WHOLE WITHOUT THE WRITTEN PERMISSION OF MENCOM CORPORATION IS PROHIBITED.

VOLTS	600V
AMPS	10A
TEMP	105°C

SPECIFICATIONS

UNLESS OTHERWISE SPECIFIED:	NAME	MENCOM CORPORATION
DIMENSIONS ARE IN INCHES	DRAWN BEM	
	CHECKED	
	ENG APPR.	
	MFG APPR.	
	Q.A.	
MATERIAL	COMMENTS:	TITLE: 4 POLE THROUGH MOUNT
FINISH		SIZE DWG. NO. MIN-4MFRF-TM
DO NOT SCALE DRAWING		REV A

SCALE: 2:1

WEIGHT:

SHEET 1 OF 1