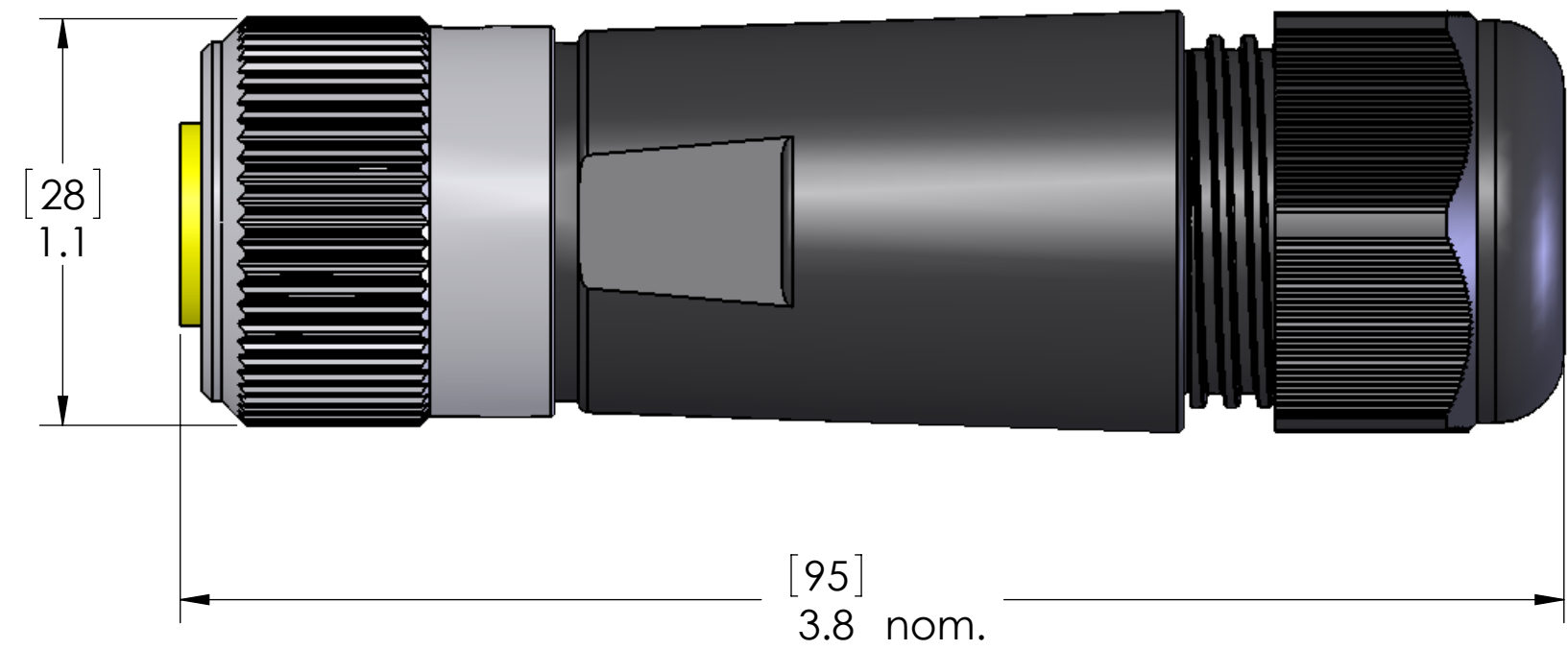
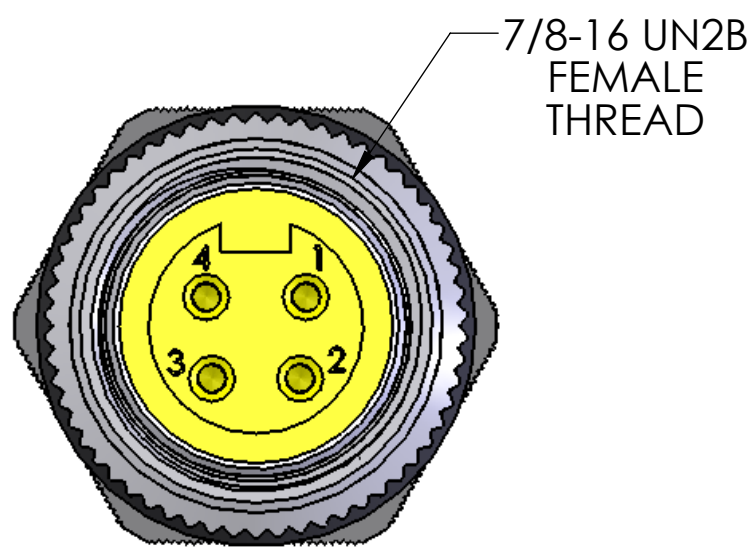


REVISIONS			
REV.	DESCRIPTION	DATE	APPROVED
A	REDRAWN IN SW	6/15/2006	
B	UPDATE COUPLNG	12/29/2014	JJH



MATERIALS	
BODY:	BLACK POLYAMIDE
CONTACTS:	GOLD PLATED COPPER ALLOY
CABLE SEAL:	NBR
INSERT:	YELLOW PVC
COUPLING:	NICKEL PLATED BRASS
RATINGS	
AMPS:	14AWG - 15A max 16AWG - 10A max 18AWG - 8A max 20-22AWG - 4A max
VOLTS:	600V MAX
SEAL:	IP67
CABLE RANGE:	14AWG - 22AWG 0.31" - 0.67" (8mm - 17mm) OD
APPROVALS	
US:	UL LISTED
CANADA:	C-UL LISTED

Voltage rating is 600V or the rating of the cable, whichever is less.

Connections made via screw terminal

**PROPRIETARY AND CONFIDENTIAL**  
THE INFORMATION CONTAINED IN THIS DRAWING IS THE SOLE PROPERTY OF MENCOM CORPORATION. ANY REPRODUCTION IN PART OR AS A WHOLE WITHOUT THE WRITTEN PERMISSION OF MENCOM CORPORATION IS PROHIBITED.

UNLESS OTHERWISE SPECIFIED:		NAME	MENCOM CORPORATION	
DIMENSIONS ARE IN INCHES AND [MM]		DRAWN	BEM	TITLE:
		CHECKED		
		ENG APPR.		
		MFG APPR.		
		Q.A.		
		COMMENTS:		
MATERIAL		SIZE	DWG. NO.	REV
FINISH		<b>B</b>	MIN-4FP-FWX	<b>B</b>
DO NOT SCALE DRAWING		SCALE: 2:1	WEIGHT:	SHEET 1 OF 1