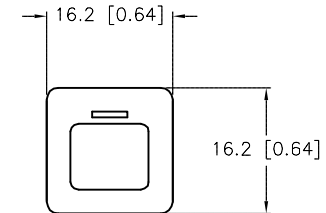
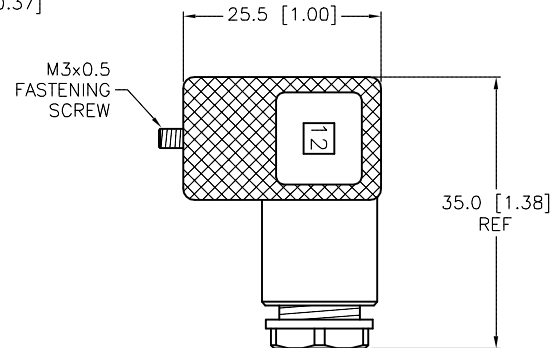
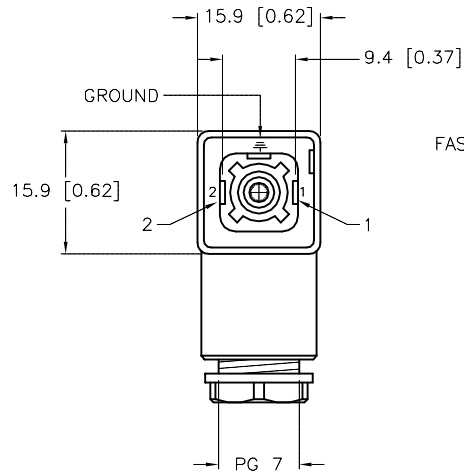


SPECIFICATIONS

HOUSING/COLOR	NYLON/BLACK
HOUSING/COLOR	NYLON/BLACK
RATED CURRENT	10 A
RATED VOLTAGE	250 V
GASKET	NITRILE
CONTACTS	NICKEL-PLATED BRASS
TERMINAL	SCREW TERMINALS, CONDUCTORS TO 14 AWG
CABLE GLAND	PG 7
TEMPERATURE	-25°C TO +90°C (-13°F TO +194°F)
PROTECTION CLASS	MEETS NEMA 4,6P, AND IEC IP 65



GASKET

RELATED DOCUMENTS		3RD ANGLE PROJECTION		THIS DRAWING IS CONFIDENTIAL AND THE PROPERTY OF TURCK INC. USE OF THIS DOCUMENT WITHOUT WRITTEN PERMISSION IS PROHIBITED.		<p>3000 CAMPUS DRIVE MINNEAPOLIS, MN 55441 1-800-544-7769 (763) 553-7300 (763) 553-0708 fax www.turck.us</p>	
1.	2.		ALL DIMENSIONS DISPLAYED ON THIS DRAWING ARE FOR REFERENCE ONLY	DRFT	IK	DATE	12/22/98
3.	4.			DSGN		SCALE	1=1.0
MATERIAL		SEE SPECIFICATIONS		UNIT OF MEASUREMENT		IDENTIFICATION NO.	
FINISH		SEE SPECIFICATIONS		MILLIMETER [INCH]		U7162	
CONTACT TURCK FOR MORE INFORMATION		DO NOT SCALE THIS DRAWING		FILE: U7162		REV	
C UPDATE TO M3x0.5 THREAD		JBJ 06/30/00 T3723				C	
REV DESCRIPTION		BY DATE ECO NO.				SHEET 1 OF 1	

C	UPDATE TO M3x0.5 THREAD	JBJ	06/30/00	T3723
REV	DESCRIPTION	BY	DATE	ECO NO.