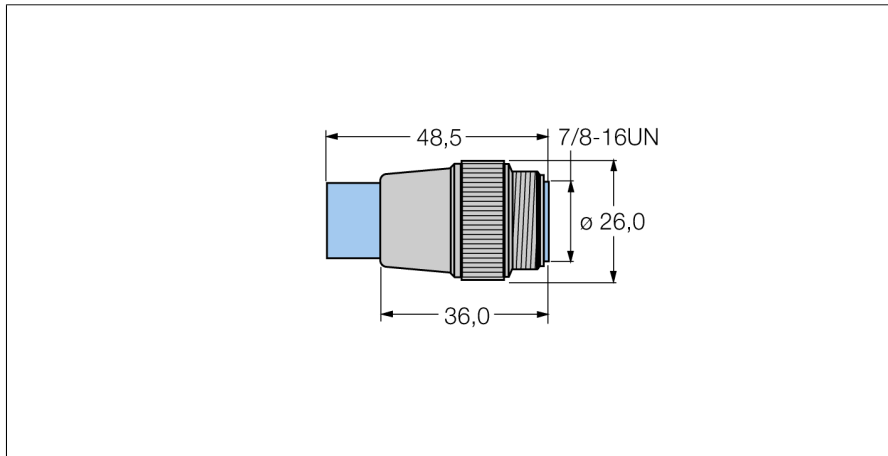


Accessories for Fieldbus Systems

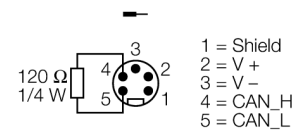
Bus termination resistor

RSM 57-TR2



- Type: 7/8" male connector, 5-pin
- For use in CAN (DeviceNet™, CANopen) applications
- Rated voltage: 250 VDC (max. 7.6 VDC on pins with resistor)
- Internal resistor 120 Ω, 1/2 W
- Protection class: NEMA 1, 3, 4, 6P and IEC IP67
- Temperature range: -40 °C...+80 °C

Pin Assignment



Type designation	RSM 57-TR2
Ident-No.	U0102
Connector A	Male, 7/8", Straight
Number of contacts	5
Contacts	Brass, CuZn, Gold-plated
Contact carriers	Plastic, TPU, Blue
Connector body	Plastic, TPU, Blue
Protection class	When coupled - IP67, (screwed together)
Rated voltage	300V
Temperature range (static)	-40...+80°C