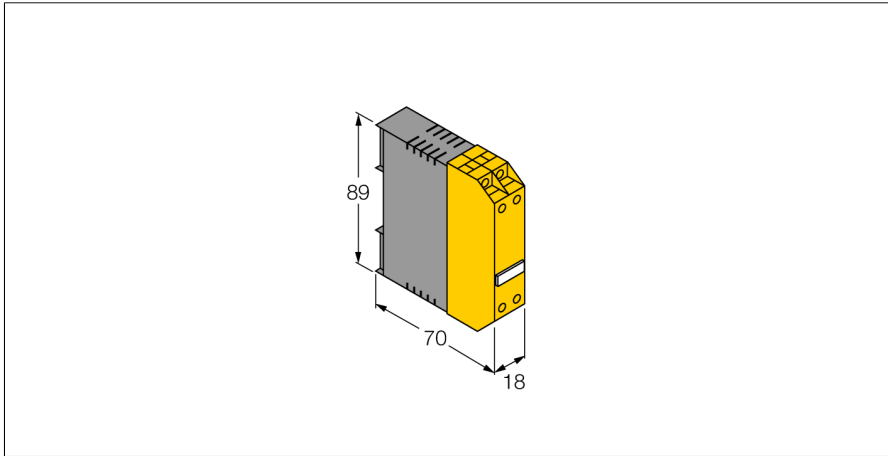
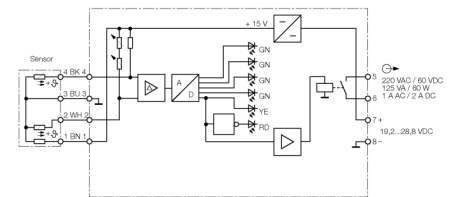


**Flow Monitoring**  
**MK96 for Flow Sensors**  
**MK 96-11-R/024VDC**



- For connection of a standard flow sensor
- Adjustment via potentiometer
- 6 LEDs for display of the flow state
- 2-wire DC, 19.2...28.8 VDC
- NO contact, relay output

**Wiring Diagram**



**Functional principle**

Signal processors not only supply insertion and inline sensors with voltage, they also process and display the measured signals. Devices with MK96..., MS96... and MC96... housing styles are available. The individual housing styles are designed for different operating voltages and feature various output and supplementary functions. For intrinsically safe flow sensors it is required to use signal processors with intrinsically safe control circuits of the series MS96...Ex... and MC96...Ex...

<b>Type designation</b>	MK 96-11-R/024VDC
Ident-No.	7525090
<b>Switching voltage</b>	≤ 230 VAC / 60 VDC
Switching current	≤ 1 A AC / 2 A DC
Switching capacity	≤ 120 VA / 60 W
<b>Operating voltage</b>	19.2... ≤ 28.8 VDC
Current consumption	≤ 70 mA
Operating range	Depending on connected sensor
<b>Design</b>	Signal processor, Polycarbonate/ABS
Dimensions(w x l x h)	70x18x89mm
Mounting	DIN rail (DIN 50022)
Protection class (terminals/housing)	IP20 / IP40
<b>Switching state</b>	LED chain, Green/Yellow/Red
Indication: Drop below setpoint	LED red
Indication: Setpoint reached	LED yellow
Indication: Setpoint exceeded	4 x LEDs green