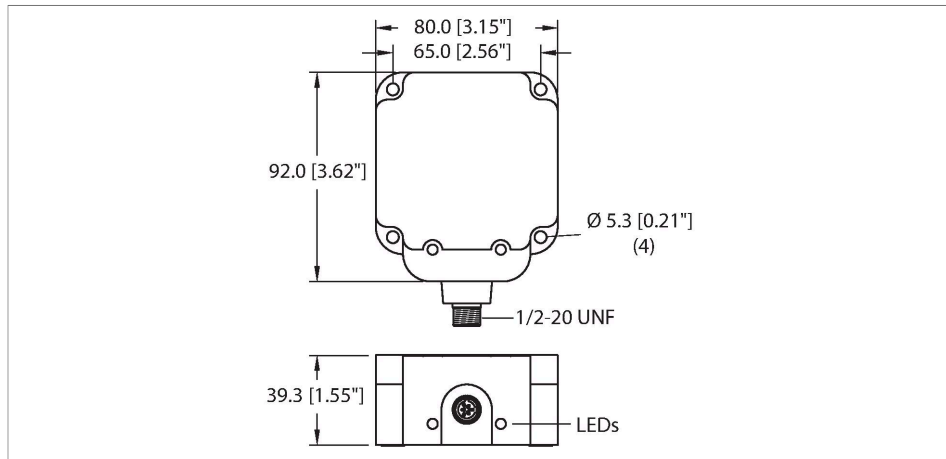


BI50-Q80-ADZ30X2-B3131

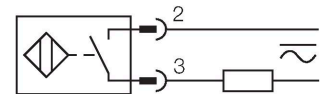
Inductive sensor



Features

- Rectangular, height 40 mm
- Active face on top
- Plastic, PBT-GF30-V0
- AC 2-wire, 20...250 VDC
- DC 2-wire, 10...300 VDC
- NO contact
- 1/2" male connector

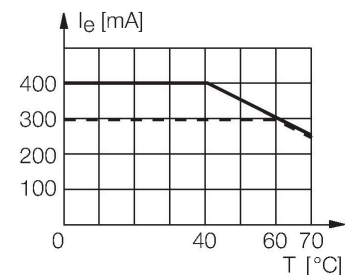
Wiring diagram



Technical data

| | |
|---|---------------------------|
| Type | BI50-Q80-ADZ30X2-B3131 |
| Ident. no. | 4200311 |
| Rated switching distance | 50 mm |
| Mounting conditions | Flush |
| Repeat accuracy | ≤ 2 % of full scale |
| Hysteresis | 3...15 % |
| Operating voltage | 20...250 VAC |
| Operating voltage | 10...300 VDC |
| AC rated operational current | ≤ 400 mA |
| DC rated operational current | ≤ 300 mA |
| Frequency | ≥ 50...≤ 60 Hz |
| Residual current | ≤ 1.7 mA |
| Isolation test voltage | ≤ 1.5 kV |
| Surge current | ≤ 3 A (≤ 20 ms max. 5 Hz) |
| Short-circuit protection | yes / Latching |
| Voltage drop at I _e | ≤ 6 V |
| Wire breakage/Reverse polarity protection | yes / Complete |
| Output function | 2-wire, NO contact |
| Smallest operating current | ≥ 3 mA |
| Switching frequency | 0.02 kHz |
| Design | Rectangular, Q80 |
| Dimensions | 92 x 80 x 40 mm |
| Housing material | Plastic, PBT-GF30-V0 |
| Active area material | PBT-GF30-V0, black |

Functional principle

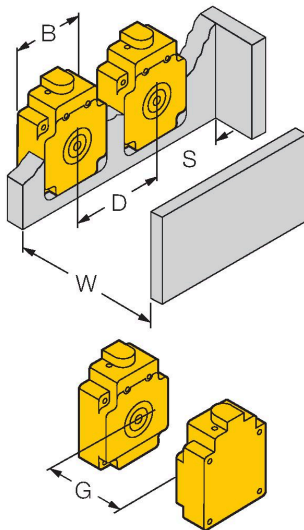


Technical data

| | |
|--------------------------------|-----------------|
| Tightening torque fixing screw | 4 Nm |
| Electrical connection | Connector, 1/2" |
| Vibration resistance | 55 Hz (1 mm) |
| Shock resistance | 30 g (11 ms) |
| Power-on indication | LED, Green |
| Switching state | LED, Yellow |

Mounting instructions

Mounting instructions/Description



| | |
|---------------------|----------------|
| Distance D | $3 \times B$ |
| Distance W | $3 \times S_n$ |
| Distance S | $1.5 \times B$ |
| Distance G | $6 \times S_n$ |
| Width active area B | 80 mm |