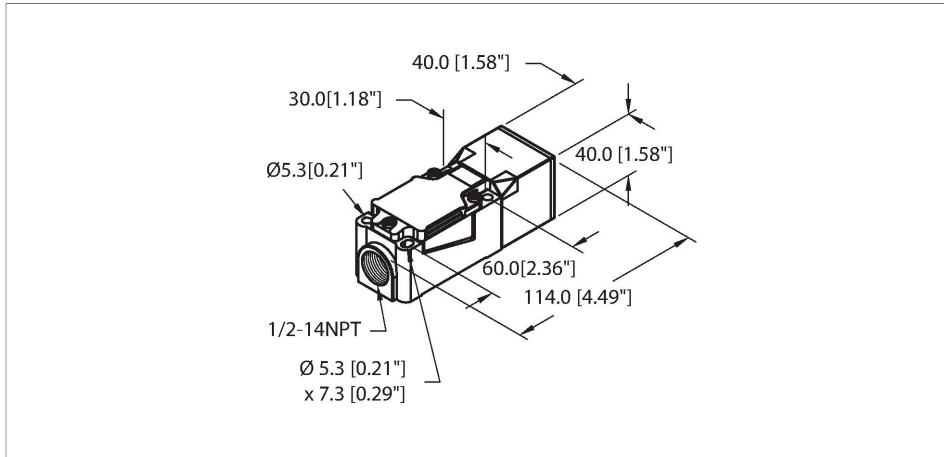


BI15-CP40-LIU/S10

Inductive Sensor – With Analog Output



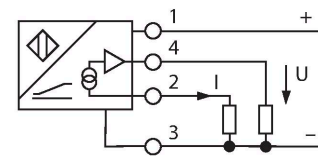
Features

- Rectangular, height 40 mm
- Variable orientation of active face in 9 directions
- Plastic, PBT-GF30-VO
- High-luminance corner LEDs
- Optimum view of operating voltage and switching state from any position
- Thread, 1/2-14 NPT
- 4-wire, 15...30 VDC
- Analog output
- 0...10 V and 0...20 mA
- Terminal chamber

Technical data

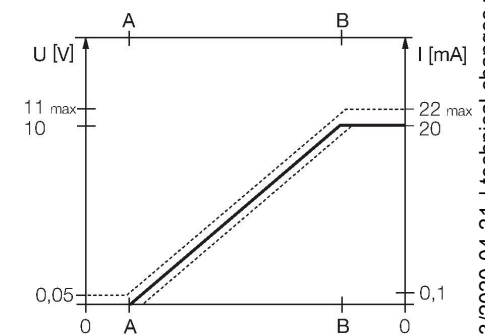
Type	BI15-CP40-LIU/S10
Ident. no.	15357
Special version	S10 corresponds to: Mounting base with 1/2-14NPT thread
Measuring range	4...11 mm
Rated switching distance	15 mm
Mounting conditions	Flush
Secured operating distance	$\leq (0.81 \times S_n)$ mm
Correction factors	St37 = 1; Al = 0.3; stainless steel = 0.7; Ms = 0.4
Repeatability	$\leq 1\%$ of measuring range A - B 0.5 %, after warm-up 0.5 h
Reproducibility	$\leq 70\ \mu\text{m}$ $\leq 35\ \mu\text{m}$, after a warm-up time of 0.5 h
Linearity deviation	$\leq 3\%$
Temperature drift	$\leq \pm 10\%$
Temperature drift	$\leq \pm 0.06\% / \text{K}$
Ambient temperature	-25...+70 °C
Operating voltage	15...30 VDC
Residual ripple	$\leq 10\% U_{ss}$
No-load current	$\leq 8\ \text{mA}$
Isolation test voltage	$\leq 0.5\ \text{kV}$
Short-circuit protection	yes
Wire breakage/Reverse polarity protection	no / Complete
Output function	4-wire, Analog output

Wiring diagram



Functional principle

Inductive TURCK sensors with analog output accomplish simple control tasks. They provide a current, voltage or frequency signal proportional to the target's distance. The output signal is linear to the distance of the target over the entire sensing range.



BI15-CP40-LIU/S10 | 12/03/2020 04-21 | technical changes reserved

Technical data

Voltage output	0...10 V
Current output	0...20 mA
Load resistance voltage output	$\geq 4.7 \text{ k}\Omega$
Load resistance, current output	$\leq 0.4 \text{ k}\Omega$
Measuring sequence frequency	110 Hz
Design	Rectangular, CP40
Dimensions	114 x 40 x 40 mm
Housing material	Plastic, PBT-GF30-V0, Black
Active area material	Plastic, PBT-GF30-V0, yellow
Electrical connection	Terminal chamber
Clamping ability	$\leq 2.5 \text{ mm}^2$
Vibration resistance	55 Hz (1 mm)
Shock resistance	30 g (11 ms)
Protection class	IP67
MTTF	751 years acc. to SN 29500 (Ed. 99) 40 °C

Mounting instructions

Mounting instructions/Description		
	Distance D	80 mm
	Distance W	33 mm
	Distance S	40 mm
	Distance G	66 mm
	Width active area B	40 mm

Accessories

Adjusting bar JS 025/037	69429
Adjusting bar for rectangular housings CK/CP40; material: VA 1.4301	

BSS-CP40	6901318
Mounting clamp for rectangular housings 40 x 40 mm; material: Polypropylene	