

XAPE302

drilled front plate - XAP-E - metal - 2 horizontal openings

Product availability : Non-Stock - Not normally stocked in distribution facility



Price* : 60.00 USD



Main

Range of product	Harmony XAP
Product or component type	Front plate with fixing screws
Device short name	XAPE
Product destination	For Ø 22 mm control and signalling units
Product front plate size	72 x 105 mm
Number of cut-out	2 cut-outs
Material	Anodised aluminium
Device mounting	Flush
IP degree of protection	IP65 conforming to IEC 60529 IP657 NF C 20-010
Resistance to chemical agents	Good resistant to acetone Good resistant to alcohols Good resistant to chloride and fluoride solvents Good resistant to diluted mineral acids Good resistant to oils and petrol Good resistant to organic acids Good resistant to salts

Complementary

Net Weight	0.17 lb(US) (0.075 kg)
------------	------------------------

Environment

Protective treatment	TC TH
Ambient air temperature for storage	-40...158 °F (-40...70 °C)
Ambient air temperature for operation	-13...158 °F (-25...70 °C)
Overvoltage category	Class I IEC 60536

* Price is "List Price" and may be subject to a trade discount – check with your local distributor or retailer for actual price.

Ordering and shipping details

Category	22475 - WALL STATIONS
Discount Schedule	CS2
GTIN	03389110628029
Nbr. of units in pkg.	1
Package weight(Lbs)	3.25 oz (92 g)
Returnability	No
Country of origin	FR

Packing Units

Unit Type of Package 1	PCE
Package 1 Height	0.87 in (2.2 cm)
Package 1 width	4.96 in (12.6 cm)
Package 1 Length	6.42 in (16.3 cm)
Unit Type of Package 2	S02
Number of Units in Package 2	30
Package 2 Weight	6.85 lb(US) (3.107 kg)
Package 2 Height	5.91 in (15 cm)
Package 2 width	11.81 in (30 cm)
Package 2 Length	15.75 in (40 cm)

Offer Sustainability

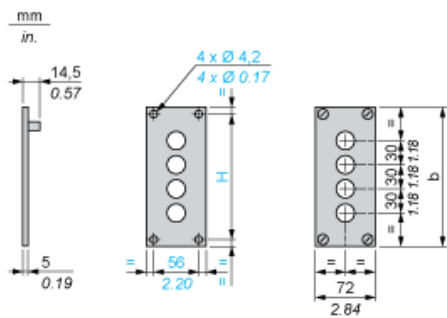
Sustainable offer status	Green Premium product
California proposition 65	WARNING: This product can expose you to chemicals including: Di-isodecyl phthalate (DIDP), which is known to the State of California to cause birth defects or other reproductive harm. For more information go to www.P65Warnings.ca.gov
REACH Regulation	REACH Declaration
REACH free of SVHC	Yes
EU RoHS Directive	Pro-active compliance (Product out of EU RoHS legal scope) EU RoHS Declaration
Toxic heavy metal free	Yes
Mercury free	Yes
RoHS exemption information	Yes
China RoHS Regulation	China RoHS declaration
Environmental Disclosure	Product Environmental Profile
Circularity Profile	End of Life Information

Contractual warranty

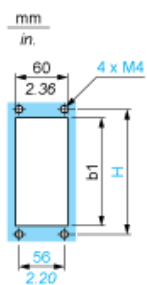
Warranty	18 months
----------	-----------

Dimensions and Fixing

Below drawing shows a front plate with 4 cut-outs. Refer to the product characteristics to get the number of cut-outs.



Panel cut-out



b		b1		H	
mm	in.	mm	in.	mm	in.
105	4.13	77	3.03	89	3.50