

# SO1020VP

## ALL-IN-ONE RING T-SURFACE OH 100A VALUE PAC

Product availability : Stock - Normally stocked in distribution facility



Price\* : 567.00 USD



### Main

Product or component type	All-In-One
Range of product	Homeline
Meter socket type	Ringed
Hub type	A
Included Options	Circuit breaker 1) 2P 100 A 120/240 V AC main supply ready assembled Circuit breaker 3) 1P 20 A 120 V AC Tandem circuit breaker 3) 1P 20 A 120 V AC

### Complementary

Line Rated Current	100 A
Short-circuit current	10 kA
Mounting	Surface
Number of spaces	10
Number of circuits	20
Number of Tandem Breakers	10
Electrical connection	Lugs line side Lugs service ground
Wire Size	AWG 6...AWG 1 aluminium/copper)line side AWG 8...AWG 4 aluminium/copper)service ground
Disconnect	Service disconnect (factory installed)
Disconnect Rating	100 A
Branch Breaker Rating	80 A
Service feed location	OH
Bypass type	No bypass
Width	18.76 in (476.50 mm)
Depth	5.41 in (137.41 mm)

\* Price is "List Price" and may be subject to a trade discount – check with your local distributor or retailer for actual price.

Height	41.18 in (1045.97 mm)
--------	-----------------------

## Ordering and shipping details

Category	00148 - HOMELINE CSED DEVICES
Discount Schedule	DE3A
GTIN	00785901396420
Nbr. of units in pkg.	1
Package weight(Lbs)	23.18 lb(US) (10.51 kg)
Returnability	Yes
Country of origin	MX

## Packing Units

Unit Type of Package 1	PCE
Package 1 Height	5.50 in (13.97 cm)
Package 1 width	13.70 in (34.798 cm)
Package 1 Length	21.80 in (55.372 cm)
Unit Type of Package 2	PAL
Number of Units in Package 2	35
Package 2 Weight	850.00 lb(US) (385.553 kg)
Package 2 Height	42.00 in (106.68 cm)
Package 2 width	40.00 in (101.6 cm)
Package 2 Length	48.00 in (121.92 cm)

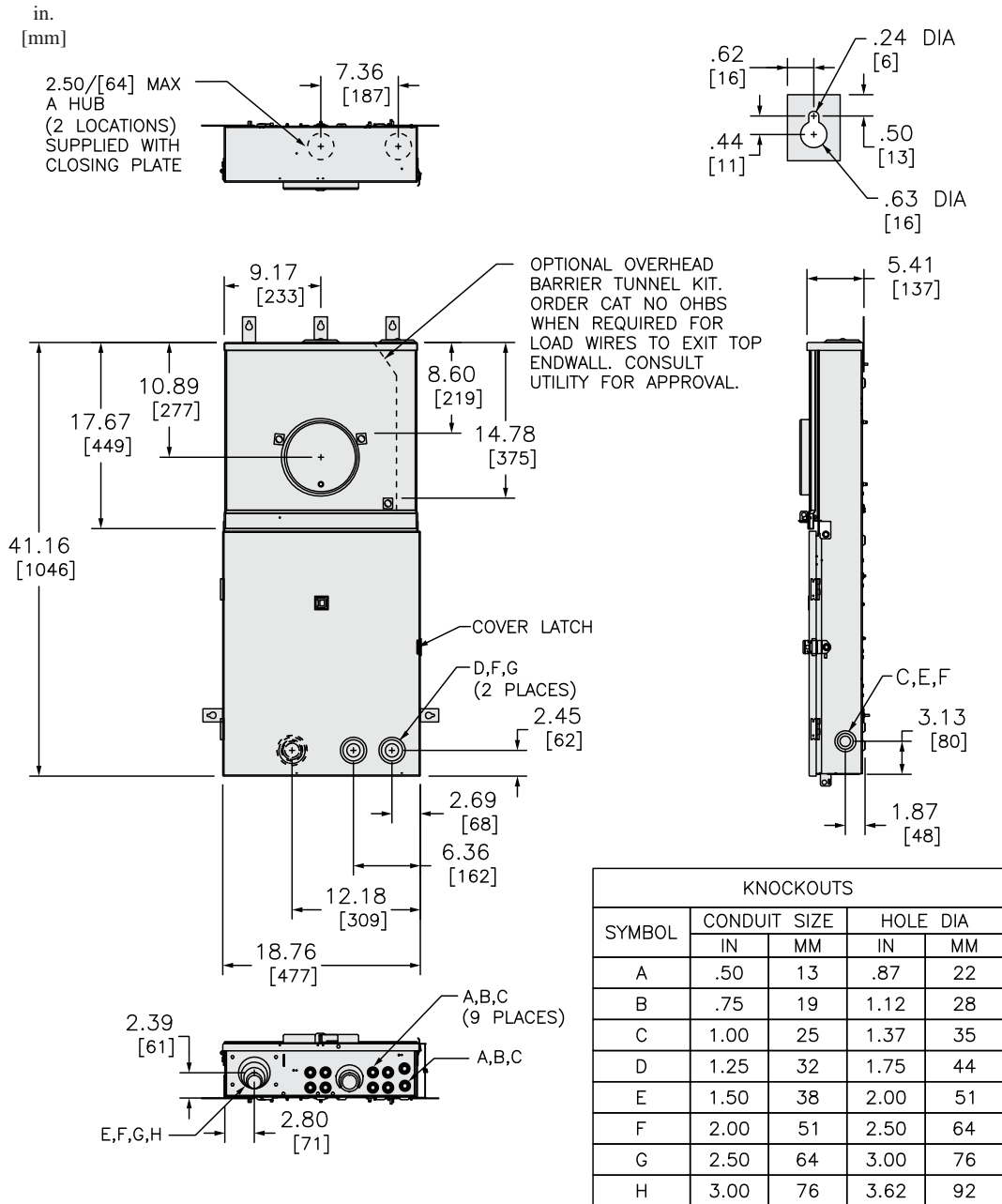
## Offer Sustainability

California proposition 65	WARNING: This product can expose you to chemicals including: Lead and lead compounds, which is known to the State of California to cause cancer and birth defects or other reproductive harm. For more information go to <a href="http://www.P65Warnings.ca.gov">www.P65Warnings.ca.gov</a>
REACH Regulation	<a href="#">REACH Declaration</a>
REACH free of SVHC	Yes
EU RoHS Directive	Compliant <a href="#">EU RoHS Declaration</a>
Mercury free	Yes
RoHS exemption information	<a href="#">Yes</a>
China RoHS Regulation	<a href="#">China RoHS declaration</a> Product out of China RoHS scope. Substance declaration for your information.

## Contractual warranty

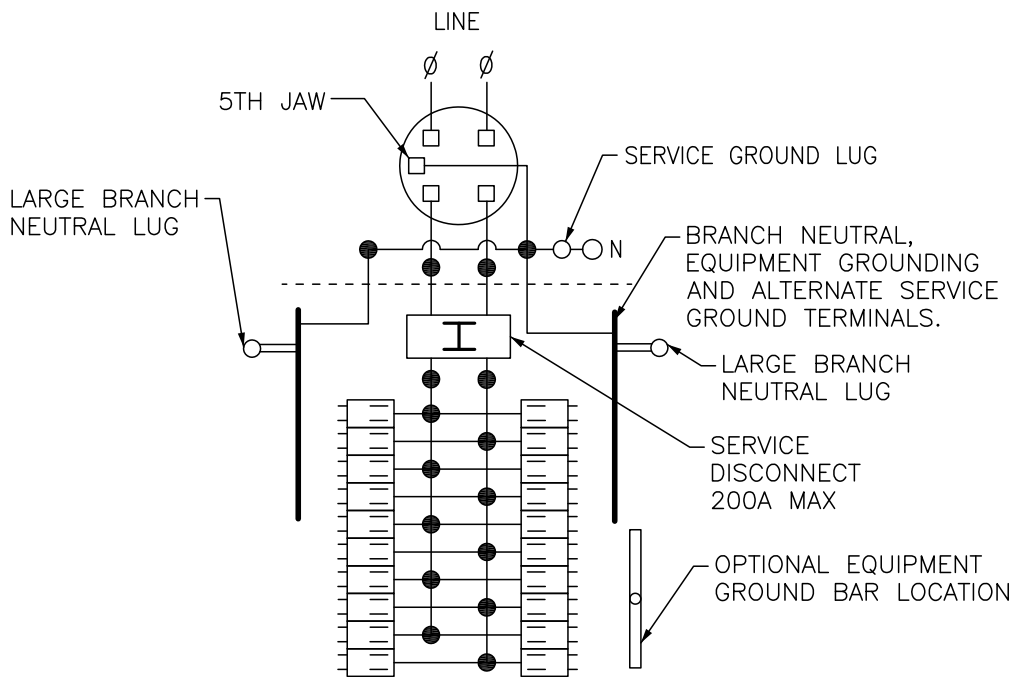
Warranty	18 months
----------	-----------

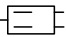


Dimensions



All dimensions are approximate.  
 Also see technical drawings and documentation.

Wiring Diagram



-  TWO SINGLE POLE, ONE PLUG-ON SPACE TYPE HOMT OR ONE SINGLE POLE TYPE HOM.
-  TWO POLE TYPE HOMT, HOM OR HOMA (125A MAX) MAY PLUG ON TWO ADJACENT SPACES.
-  TWO POLE TYPE HOMA (150-200A) MAY PLUG ON FOUR ADJACENT SPACES.

TOTAL CIRCUIT BREAKER HANDLE RATING NOT TO EXCEED 160A PER CIRCUIT CONNECTOR.

A SQUARE D UL LISTED SECONDARY SURGE ARRESTER MAY PLUG ON TWO ADJACENT SPACES. ORDER CATALOG NO HOM2175SB.