

Product data sheet

Characteristics

SO1020M100S

Homeline All In One combination service entrance device, ringed socket, no bypass, OH, 100 A, 10 kA, 10 spaces

Product availability : Stock - Normally stocked in distribution facility



Price* : 443.00 USD



Main

Product or component type	All-In-One
Range of product	Homeline
Meter socket type	Ringed
Hub type	A

Complementary

Line Rated Current	100 A
Short-circuit current	10 kA
Mounting	Surface
Number of spaces	10
Number of circuits	20
Number of Tandem Breakers	10
Electrical connection	Lugs line side Lugs service ground
Wire Size	AWG 6...AWG 1 aluminium/copper)line side AWG 8...AWG 4 aluminium/copper)service ground
Tightening torque	Main lugs 50 lb.in, AWG 6...AWG 1, aluminium/copper Branch lugs 35 lb.in, AWG 6...AWG 4, aluminium/copper Branch lugs 25 lb.in, AWG 8, aluminium/copper Branch lugs 20 lb.in, AWG 14...AWG 10, aluminium/copper Branch lugs 20 lb.in, AWG 12...AWG 10, aluminium/copper Cover 10 lb.in
Disconnect	Service disconnect (factory installed)
Disconnect Rating	100 A
Branch Breaker Rating	80 A
Service feed location	OH

* Price is "List Price" and may be subject to a trade discount – check with your local distributor or retailer for actual price.

Bypass type	No bypass
Width	13.46 in (341.88 mm)
Depth	4.56 in (115.82 mm)
Height	20.79 in (528.07 mm)

Environment

NEMA Rating	NEMA 3R
Product certifications	UL Listed

Ordering and shipping details

Category	00148 - HOMELINE CSED DEVICES
Discount Schedule	DE3A
GTIN	00785901328049
Nbr. of units in pkg.	1
Package weight(Lbs)	22.91 lb(US) (10.39 kg)
Returnability	Yes
Country of origin	MX

Packing Units

Package 1 Height	5.50 in (13.970 cm)
Package 1 width	13.80 in (35.052 cm)
Package 1 Length	22.00 in (55.880 cm)

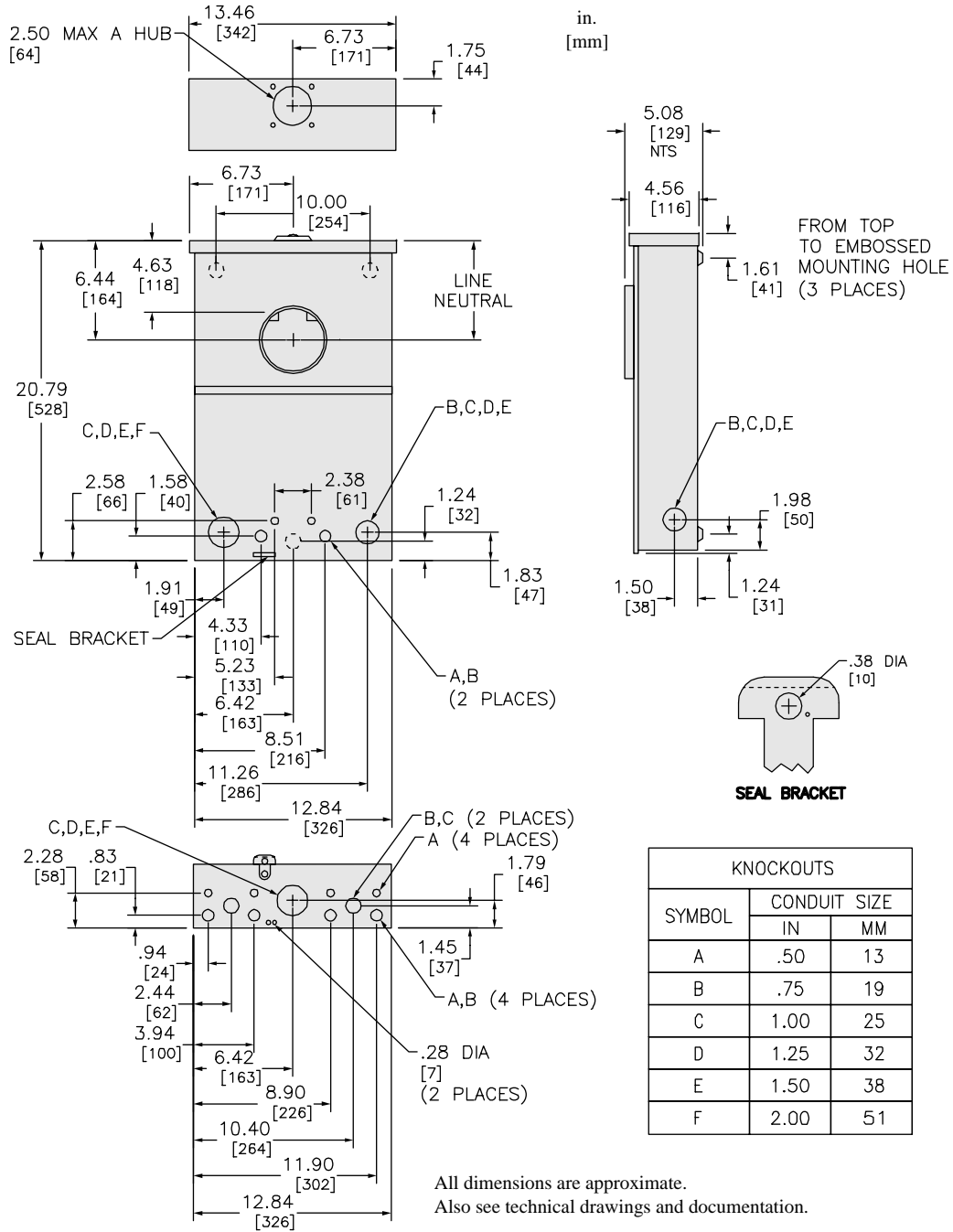
Offer Sustainability

California proposition 65	WARNING: This product can expose you to chemicals including: Lead and lead compounds, which is known to the State of California to cause cancer and birth defects or other reproductive harm. For more information go to www.P65Warnings.ca.gov
REACH Regulation	REACH Declaration
REACH free of SVHC	Yes
EU RoHS Directive	Compliant EU RoHS Declaration
Mercury free	Yes
RoHS exemption information	Yes
China RoHS Regulation	China RoHS declaration Product out of China RoHS scope. Substance declaration for your information.

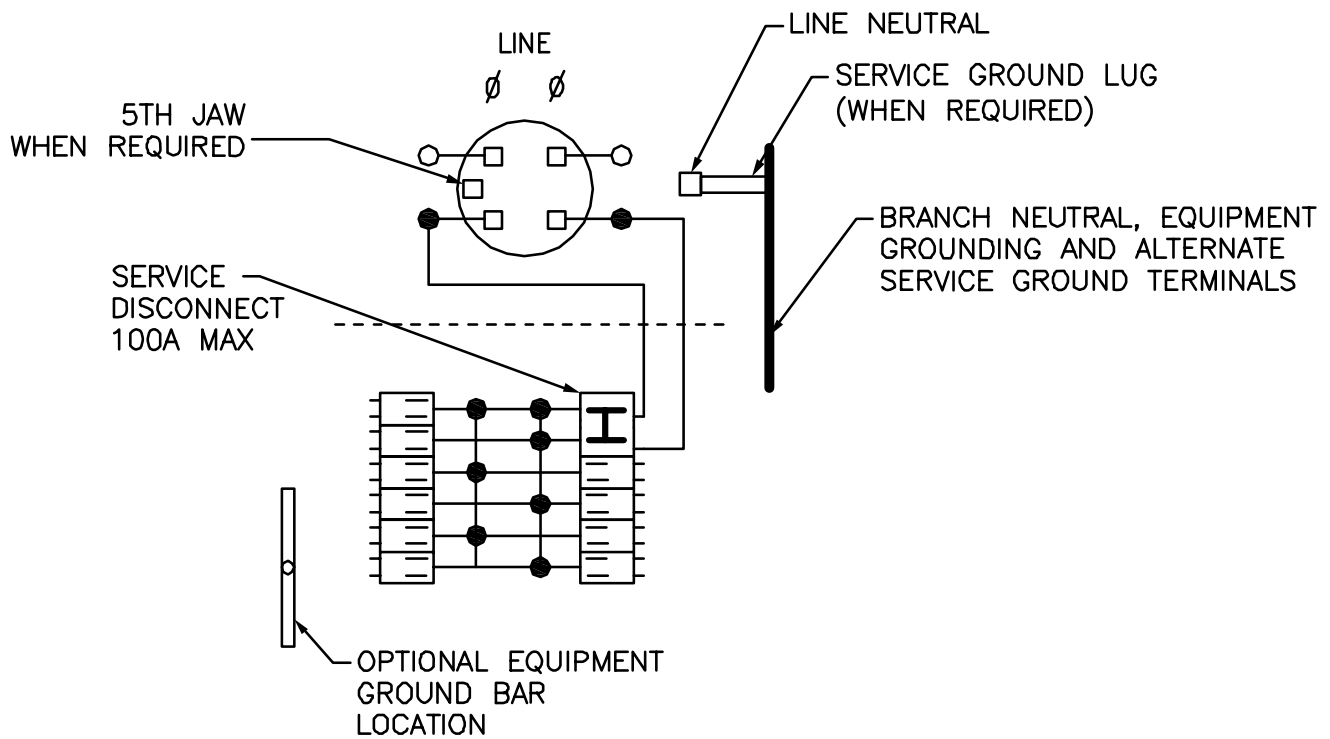
Contractual warranty

Warranty	18 months
----------	-----------

Dimensions



Wiring Diagram



●  TWO SINGLE POLE, ONE PLUG-ON SPACE TYPE HOMT OR ONE SINGLE POLE, ONE PLUG-ON SPACE TYPE HOM. TWO-POLE TYPE HOM OR HOMT MAY PLUG-ON TWO ADJACENT SPACES. BRANCH BREAKER IS LIMITED TO 80A MAX