

Product data sheet

Characteristics

RU3040D400CLX

All in one, Homeline, CSED, ringless, 400A, surface/semi flush, 30 spaces, 40 circuits, class 320, lever bypass



Price* : 6,993.00 USD



Main

Product or component type	All-In-One
Range of product	Homeline
Meter socket type	Ringless
Hub type	A-L

Complementary

Line Rated Current	400 A
Short-circuit current	25 kA
Mounting	Surface Semi flush
Number of spaces	30
Number of circuits	40
Number of Tandem Breakers	10
Electrical connection	Studs line side
Disconnect	Service disconnect (factory installed)
Disconnect Rating	200 A
Branch Breaker Rating	200 A
Width	28.25 in (717.55 mm)
Depth	7.87 in (199.90 mm)
Height	43.00 in (1092.20 mm)

Ordering and shipping details

Category	00148-HOMELINE CSED DEVICES
Discount Schedule	DE3A

* Price is "List Price" and may be subject to a trade discount – check with your local distributor or retailer for actual price.

GTIN	00785901683391
Package weight(Lbs)	112.00 lb(US) (50.802 kg)
Returnability	Yes
Country of origin	MX

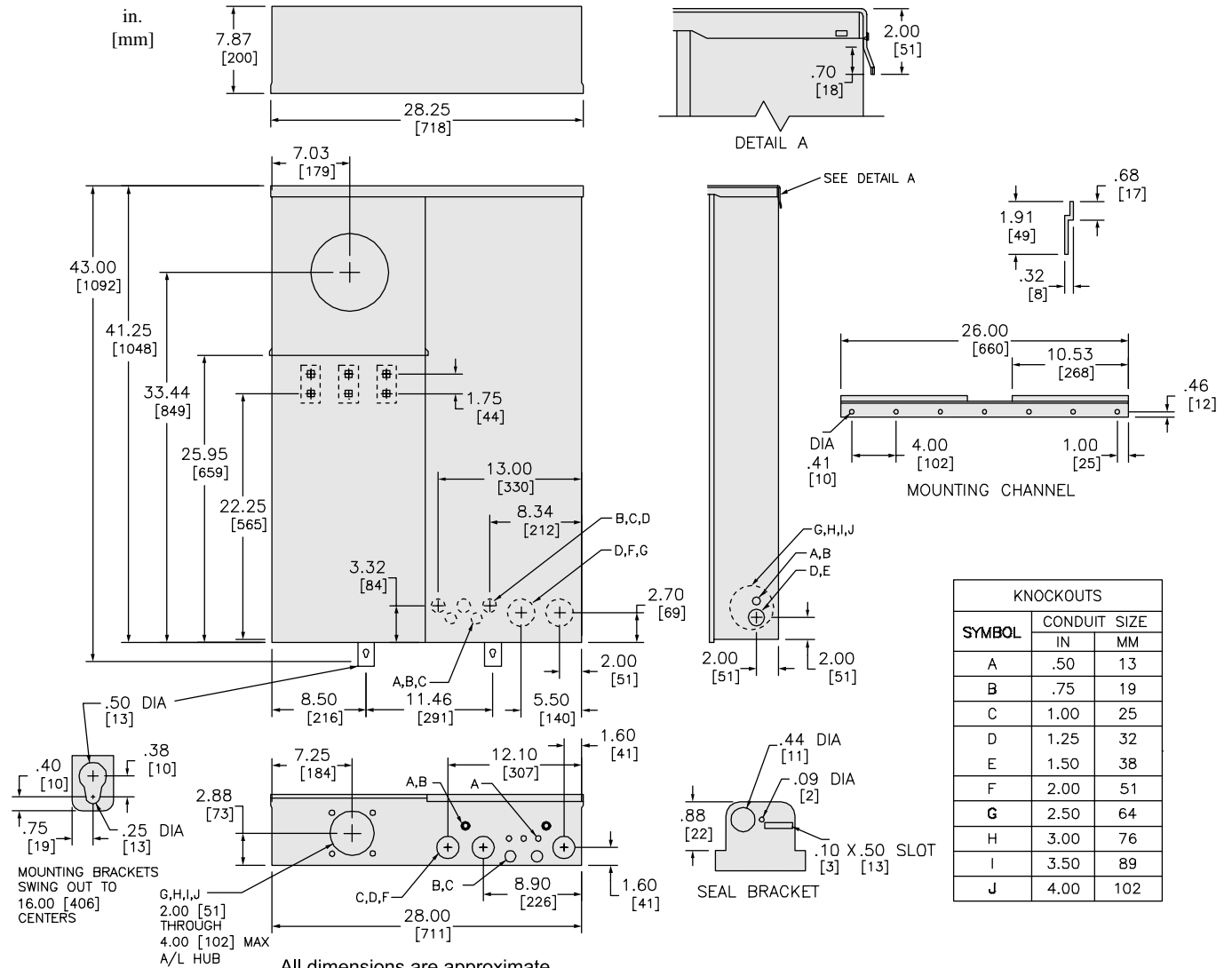
Offer Sustainability

California proposition 65	WARNING: This product can expose you to chemicals including: lead and lead compounds, which is known to the State of California to cause cancer and birth defects or other reproductive harm. For more information go to www.P65Warnings.ca.gov
REACH Regulation	REACH Declaration
REACH free of SVHC	Yes
EU RoHS Directive	Compliant EU RoHS Declaration
Mercury free	Yes
RoHS exemption information	Yes
China RoHS Regulation	China RoHS declaration Product out of China RoHS scope. Substance declaration for your information.

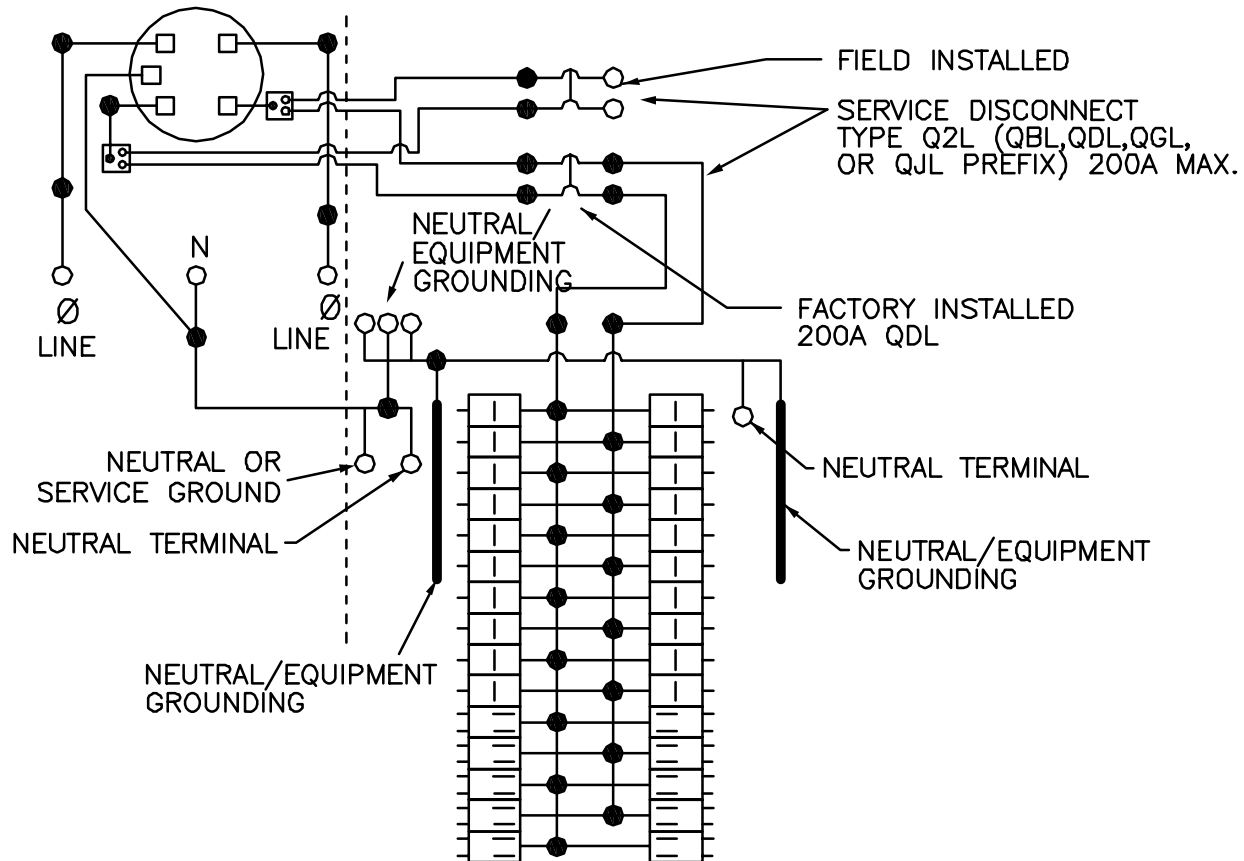
Contractual warranty


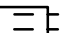
Warranty	18 months
----------	-----------

Dimensions



Wiring Diagram



-  ONE SINGLE POLE, ONE PLUG-ON SPACE TYPE HOM ONLY. TWO POLE TYPE HOM OR HOMA (125A MAX.) MAY PLUG-ON TWO ADJACENT SPACES. TWO POLE TYPE HOMA (150-200A MAX.) MAY PLUG-ON FOUR ADJACENT SPACES (RIGHT SIDE ONLY).
-  TWO SINGLE POLE, ONE PLUG-ON SPACE TYPE HOMT OR ONE SINGLE POLE TYPE HOM. TWO POLE TYPE HOM OR HOMA (125A MAX.) MAY PLUG-ON TWO ADJACENT SPACES. TWO POLE TYPE HOMA (150-200A MAX.) MAY PLUG-ON FOUR ADJACENT SPACES (RIGHT SIDE ONLY).