

Product data sheet
Characteristics

RC2M200SH

Meter mains, Homeline, combination service entrance, ringless socket, 200A, surface mount, horn bypass



Price* : 1,136.00 USD



Main

Product or component type	Meter Mains
Range of product	Homeline

Complementary

Line Rated Current	200 A
Short-circuit current	22 kA
Network number of phases	1
Meter socket type	Ringless
Mounting	Surface
Number of spaces	0
Number of circuits	0
Number of Tandem Breakers	0
Hub type	A
Electrical connection	Lugs line side Lugs service ground
Wire Size	AWG 6...300 kcmil aluminium/copper)line side AWG 8...AWG 2/0 2 aluminium/copper)service ground
Tightening torque	Lugs 250 lb.in, AWG 6...350 kcmil, aluminium/copper Lugs 250 lb.in, AWG 4...250 kcmil, aluminium/copper Service ground 50 lb.in, AWG 3...AWG 2/0, aluminium/copper Service ground 45 lb.in, AWG 6...AWG 4, aluminium/copper Service ground 40 lb.in, AWG 8, copper Lugs 50 lb.in, AWG 3...AWG 2/0, aluminium/copper Lugs 45 lb.in, AWG 6...AWG 4, aluminium/copper Lugs 40 lb.in, AWG 8, copper Cover 10 lb.in
Disconnect	Service disconnect (ordered separately)

* Price is "List Price" and may be subject to a trade discount – check with your local distributor or retailer for actual price.

Main Breaker Rating	200 A
Service feed location	OH UG
Bypass type	Horn bypass
Height	18.23 in (463.04 mm)
Width	19.58 in (497.33 mm)
Depth	4.54 in (115.32 mm)

Environment

Product certifications	UL E-6294
------------------------	-----------

Ordering and shipping details

Category	00022-QO METER MAINS
Discount Schedule	DE3A
GTIN	00785901396703
Package weight(Lbs)	27.00 lb(US) (12.247 kg)
Returnability	Yes
Country of origin	MX

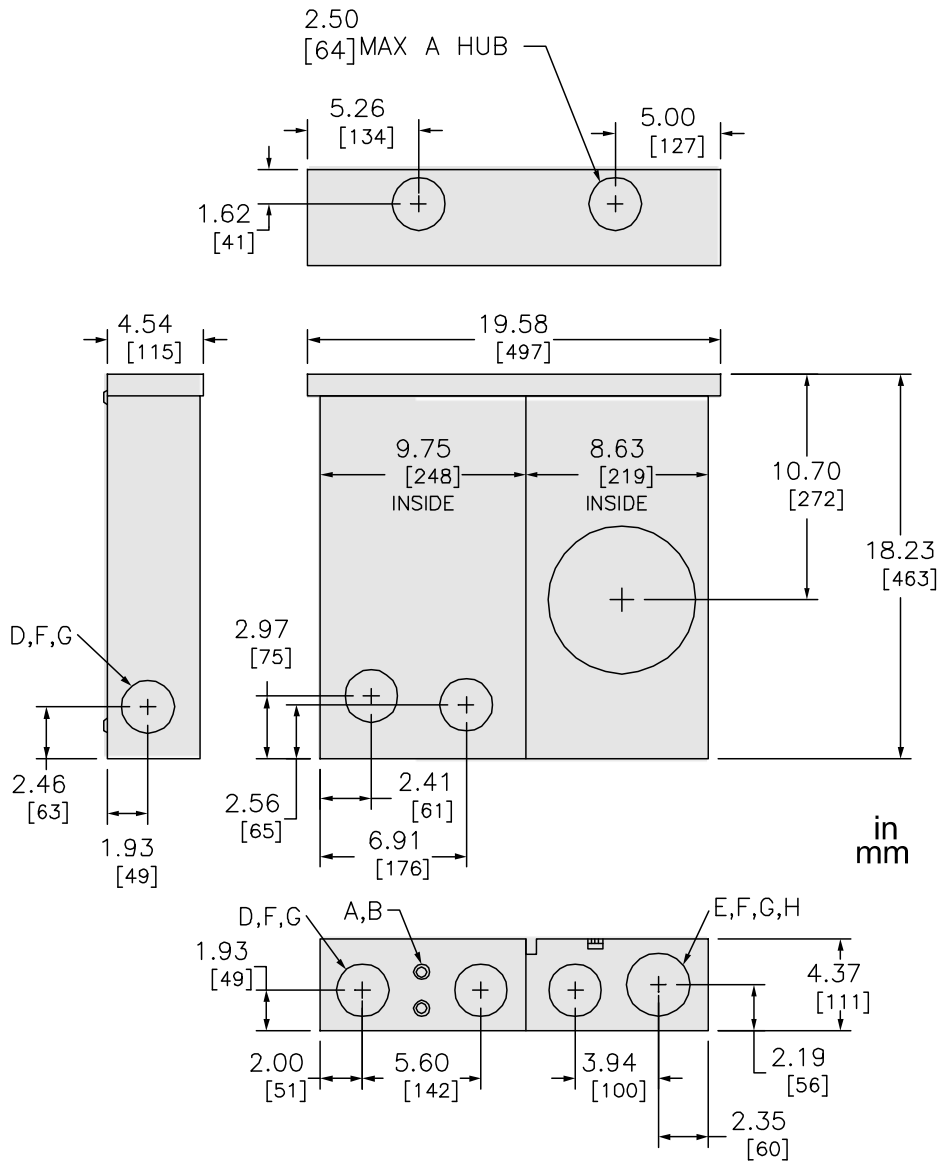
Offer Sustainability

California proposition 65	WARNING: This product can expose you to chemicals including: Lead and lead compounds, which is known to the State of California to cause cancer and birth defects or other reproductive harm. For more information go to www.P65Warnings.ca.gov
REACH Regulation	REACH Declaration
REACH free of SVHC	Yes
EU RoHS Directive	Compliant EU RoHS Declaration
Mercury free	Yes
RoHS exemption information	Yes
China RoHS Regulation	China RoHS declaration Product out of China RoHS scope. Substance declaration for your information.

Contractual warranty

Warranty	18 months
----------	-----------

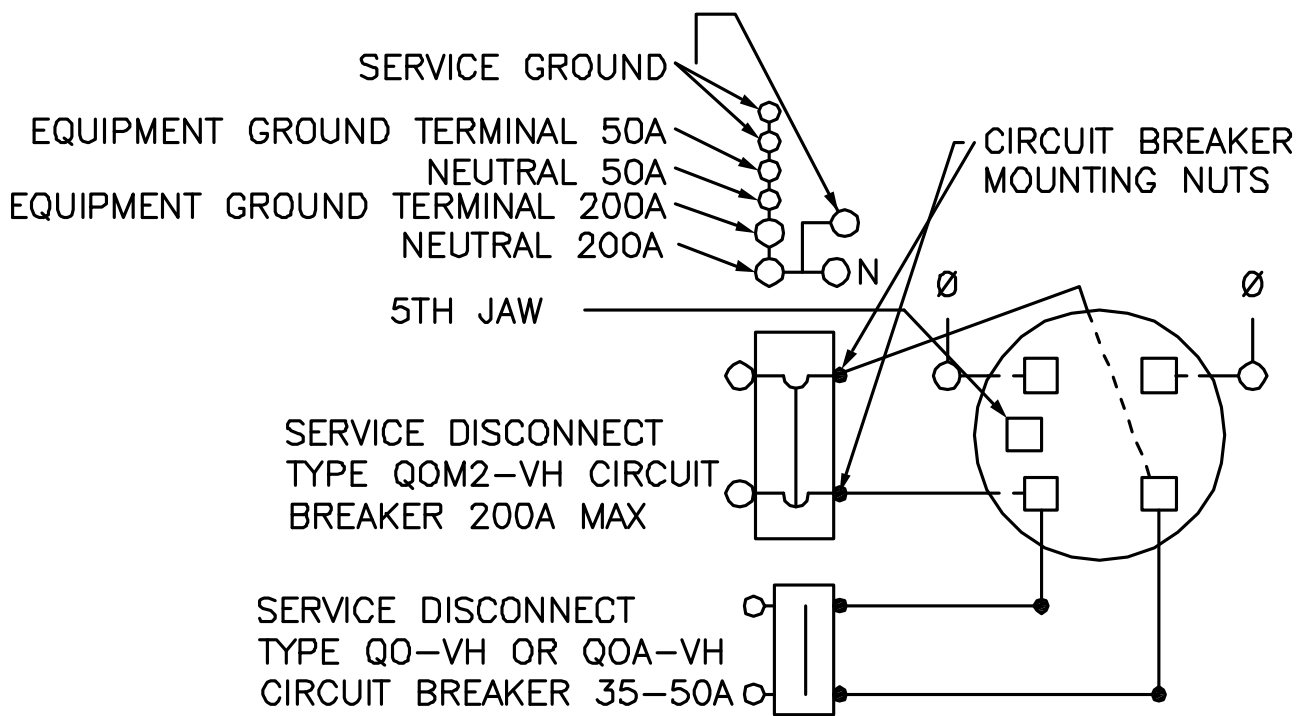
Dimensions



KNOCKOUTS		
SYMBOL	CONDUIT SIZE	
	IN	MM
A	.50	13
B	.75	19
C	1.00	25
D	1.25	32
E	1.50	38
F	2.00	51
G	2.50	64
H	3.00	76
I	3.50	89
J	4.00	102

All dimensions are approximate. Also refer to technical documentation.

Wiring Diagram



RC2M200S
RC2M200SH