

Product data sheet

Characteristics

QOU220H5283

Mini circuit breaker, QOU, 20A, 2 pole, 240 VAC, 10kA, ring terminal



Price* : 252.00 USD



Main

Product or component type	Miniature circuit-breaker
Range of product	QOU
Circuit breaker type	Standard
Circuit breaker application	HACR and Switching Duty rated

Complementary

Line Rated Current	20 A
Electrical connection	ring tongue, line side ring tongue, load side
[Ue] rated operational voltage	240 V AC
Mounting mode	Unit mount
AWG gauge	AWG 14...AWG 2 aluminium/copper
Height	4.05 in (102.87 mm)
Width	1.5 in (38.10 mm)
Depth	2.95 in (74.93 mm)
Tightening torque	45 lbf.in (5.08 N.m) (AWG 14...AWG 2)

Environment

Product certifications	UL Listed CSA IEC
------------------------	-------------------------

Ordering and shipping details

Category	00900-QOU BREAKERS & SWITCH
Discount Schedule	DE2
Package weight(Lbs)	5.60 oz (158.757 g)

* Price is "List Price" and may be subject to a trade discount – check with your local distributor or retailer for actual price.

Jul 30, 2021

Returnability	No
Country of origin	MX

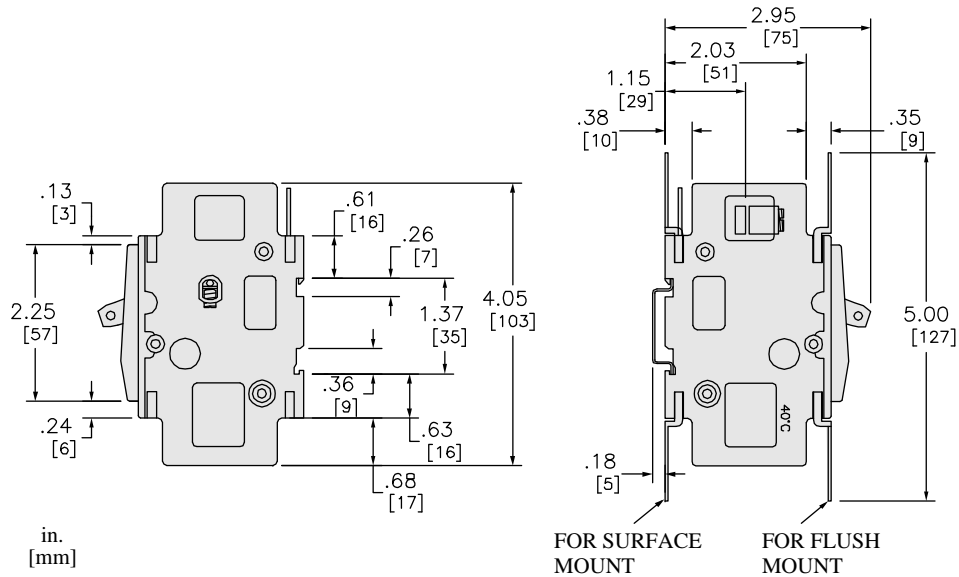
Offer Sustainability

REACH Regulation	REACH Declaration
REACH free of SVHC	Yes
EU RoHS Directive	Compliant EU RoHS Declaration
Mercury free	Yes
RoHS exemption information	Yes
China RoHS Regulation	China RoHS declaration Product out of China RoHS scope. Substance declaration for your information.
Halogen content performance	Halogen free product

Contractual warranty

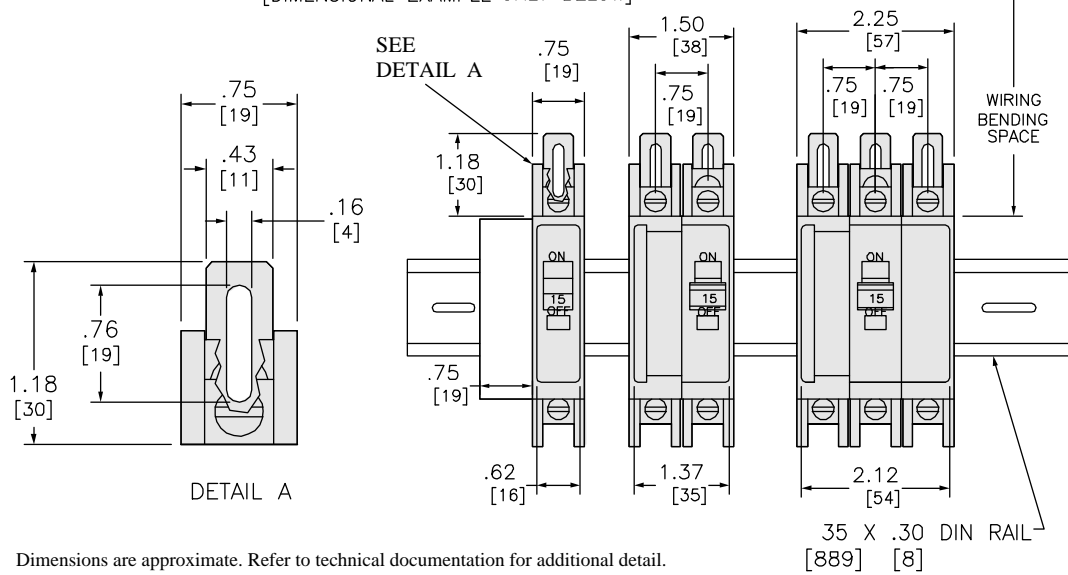
Warranty	18 months
----------	-----------

Dimensions



2.50 [64] MIN. WIRE BENDING SPACE FOR 2 AWG
 1.50 [38] MIN. WIRE BENDING SPACE FOR 14 AWG
 TYP. BOTH ENDS FOR ALL CB'S SHOWN
 PER ARTICLE 430-1-(B) NEC

[DIMENSIONAL EXAMPLE ONLY BELOW]



Dimensions are approximate. Refer to technical documentation for additional detail.