

# Product data sheet

## Characteristics

# QOB340VH

Mini circuit breaker, QO, 40A, 3 pole, 120/240 VAC, 22 kA, bolt on mount

Product availability : Stock - Normally stocked in distribution facility



Price\* : 475.20 USD



### Main

Product	Miniature circuit-breaker
Range	QO
Current Rating	40 A
Voltage Rating	120/240 V AC 240 V AC 120 V AC
Mounting Type	Bolt-on
Number of Poles	3P
Circuit Breaker Type	Standard
Ratings	HACR rated
Electrical Connection	Box lugs

### Complementary

Interrupt Rating	22 kA 120/240 V AC 50/60 Hz 22 kA 240 V AC 50/60 Hz 22 kA 120 V AC 50/60 Hz
Number of Panel Spaces	3
Wire Size	AWG 8...AWG 2 copper or aluminium
Tightening Torque	40.71 lbf.in (4.6 N.m)
Height	3.12 in (79.25 mm)
Width	2.25 in (57.15 mm)
Depth	2.91 in (73.91 mm)

### Environment

Certifications	UL Listed CSA
----------------	------------------

\* Price is "List Price" and may be subject to a trade discount – check with your local distributor or retailer for actual price.

Ambient Rating	104 °F (40 °C)
----------------	----------------

## Ordering and shipping details

Category	00015 - QOB CIRCUIT BREAKERS
Discount Schedule	DE2
GTIN	00785901054818
Nbr. of units in pkg.	1
Package weight(Lbs)	16.80 oz (476.272 g)
Returnability	Yes
Country of origin	MX

## Packing Units

Unit Type of Package 1	PCE
Package 1 Height	2.40 in (6.096 cm)
Package 1 width	3.40 in (8.636 cm)
Package 1 Length	3.90 in (9.906 cm)
Unit Type of Package 2	CAR
Number of Units in Package 2	33
Package 2 Weight	35.56 lb(US) (16.13 kg)
Package 2 Height	4.10 in (10.414 cm)
Package 2 width	14.00 in (35.56 cm)
Package 2 Length	20.90 in (53.086 cm)

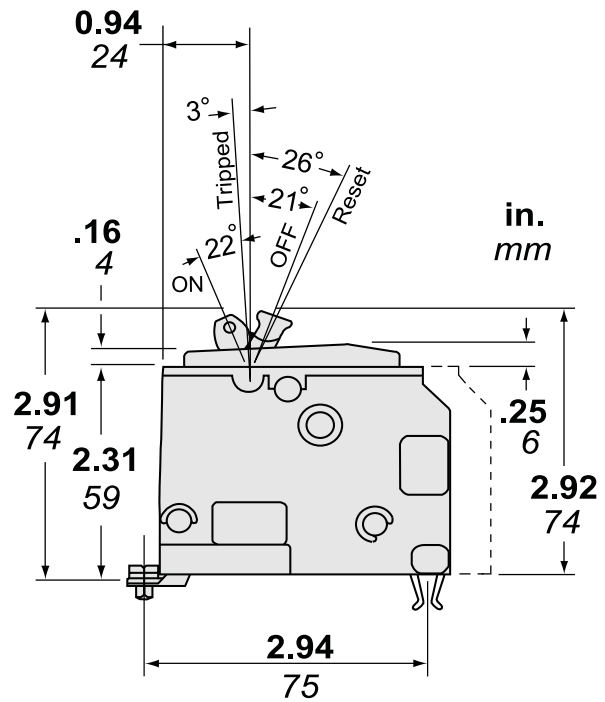
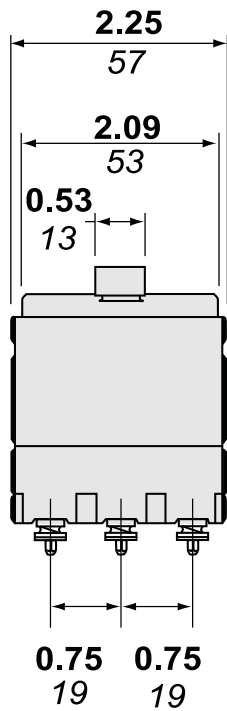
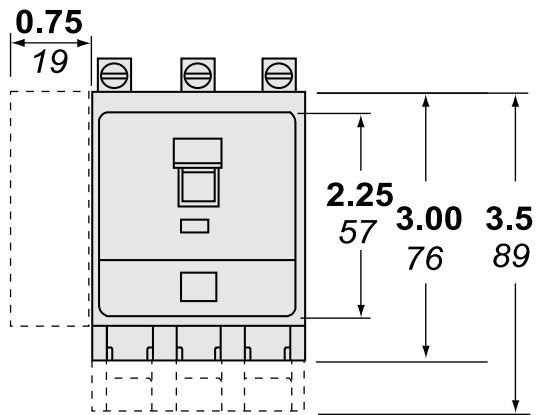
## Offer Sustainability

Sustainable offer status	Green Premium product
RECh Regulation	<a href="#">RECh Declaration</a>
RECh free of SVHC	Yes
EU RoHS Directive	Compliant <a href="#">EU RoHS Declaration</a>
Mercury free	Yes
RoHS exemption information	<a href="#">Yes</a>
China RoHS Regulation	<a href="#">China RoHS declaration</a> Product out of China RoHS scope. Substance declaration for your information.
Environmental Disclosure	<a href="#">Product Environmental Profile</a>
Halogen content performance	Halogen free product

## Contractual warranty

Warranty	18 months
----------	-----------

Dimensions



Dimensions are approximate. Refer to technical documentation for additional detail.