

# Product data sheet

## Characteristics

# QOB320VH

Mini circuit breaker, QO, 20A, 3 pole, 120/240 VAC, 22 kA, bolt on mount

Product availability : Stock - Normally stocked in distribution facility



Price\* : 475.20 USD



### Main

Product	Miniature circuit-breaker
Range	QO
Current Rating	20 A
Voltage Rating	120/240 V AC 240 V AC 120 V AC
Mounting Type	Bolt-on
Number of Poles	3P
Circuit Breaker Type	Standard
Ratings	HACR rated
Electrical Connection	Pressure plate

### Complementary

Interrupt Rating	22 kA 120/240 V AC 50/60 Hz 22 kA 240 V AC 50/60 Hz 22 kA 120 V AC 50/60 Hz
Number of Panel Spaces	3
Wire Size	AWG 14...AWG 8 copper or aluminium
Tightening Torque	40.71 lbf.in (4.6 N.m)
Height	3 in (76.20 mm)
Width	2.25 in (57.15 mm)
Depth	2.91 in (73.91 mm)

### Environment

Certifications	UL Listed CSA
----------------	------------------

\* Price is "List Price" and may be subject to a trade discount – check with your local distributor or retailer for actual price.

Ambient Rating	104 °F (40 °C)
----------------	----------------

## Ordering and shipping details

Category	00015 - QOB CIRCUIT BREAKERS
Discount Schedule	DE2
GTIN	00785901371960
Nbr. of units in pkg.	1
Package weight(Lbs)	12.80 oz (362.874 g)
Returnability	Yes
Country of origin	MX

## Packing Units

Unit Type of Package 1	PCE
Package 1 Height	2.30 in (5.842 cm)
Package 1 width	3.00 in (7.62 cm)
Package 1 Length	3.50 in (8.89 cm)
Unit Type of Package 2	BB1
Number of Units in Package 2	3
Package 2 Weight	2.48 lb(US) (1.125 kg)
Package 2 Height	3.30 in (8.382 cm)
Package 2 width	2.80 in (7.112 cm)
Package 2 Length	6.80 in (17.272 cm)
Unit Type of Package 3	CAR
Number of Units in Package 3	36
Package 3 Weight	30.85 lb(US) (13.993 kg)
Package 3 Height	3.20 in (8.128 cm)
Package 3 width	14.40 in (36.576 cm)
Package 3 Length	21.50 in (54.61 cm)

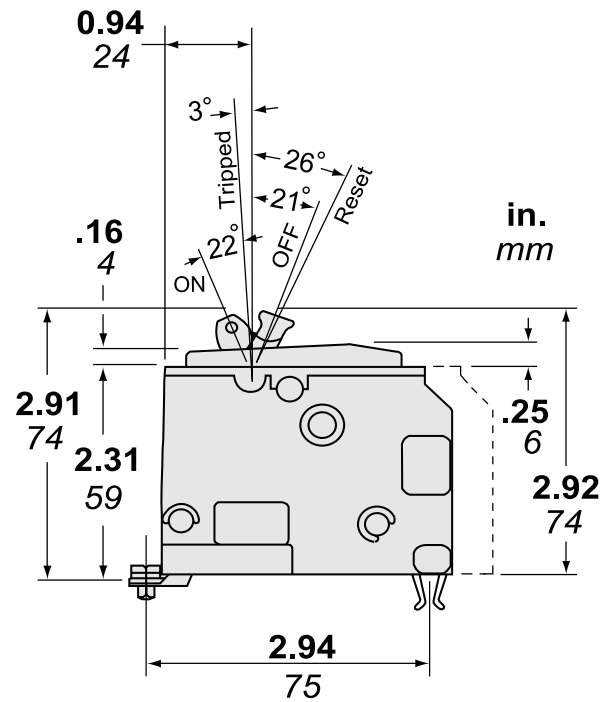
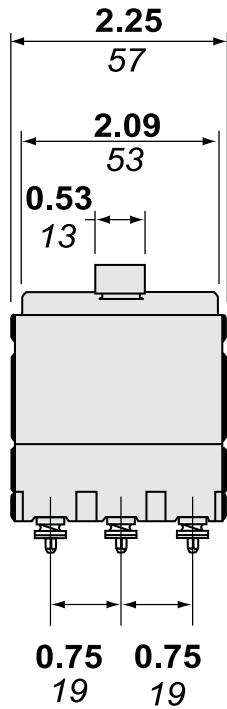
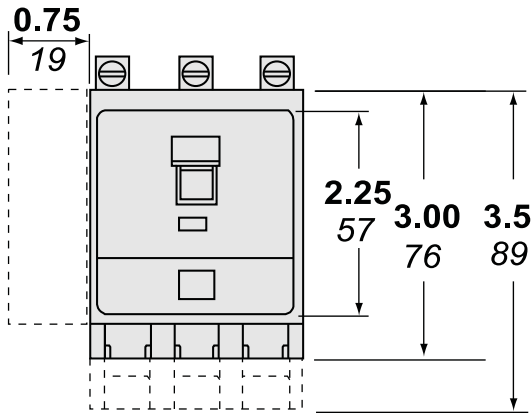
## Offer Sustainability

Sustainable offer status	Green Premium product
RECh Regulation	<a href="#">RECh Declaration</a>
RECh free of SVHC	Yes
EU RoHS Directive	Compliant <a href="#">EU RoHS Declaration</a>
Mercury free	Yes
RoHS exemption information	<a href="#">Yes</a>
China RoHS Regulation	<a href="#">China RoHS declaration</a> Product out of China RoHS scope. Substance declaration for your information.
Environmental Disclosure	<a href="#">Product Environmental Profile</a>
Halogen content performance	Halogen free product

## Contractual warranty

Warranty	18 months
----------	-----------

Dimensions



Dimensions are approximate. Refer to technical documentation for additional detail.