

# Product data sheet

## Characteristics

# QOB110

Mini circuit breaker, QO, 10A, 1 pole, 120/240 VAC, 10 kA, bolt on mount

Product availability : Stock - Normally stocked in distribution facility



Price\* : 39.80 USD



### Main

Product	Miniature circuit-breaker
Range	QO
Current Rating	10 A
Voltage Rating	120/240 V AC 120 V AC 48 V DC
Mounting Type	Bolt-on
Number of Poles	1P
Circuit Breaker Type	Standard
Ratings	Not rated
Electrical Connection	Pressure plate

### Complementary

Interrupt Rating	10 kA 120/240 V AC 50/60 Hz 10 kA 120 V AC 50/60 Hz 5 kA 48 V DC
Number of Panel Spaces	1
Wire Size	AWG 14...AWG 8 copper or aluminium
Tightening Torque	44.25 lbf.in (5 N.m) 0.02...0.04 in <sup>2</sup> (10...25 mm <sup>2</sup> ) (AWG 8...AWG 2)
Height	3 in (76.20 mm)
Width	0.75 in (19.05 mm)
Depth	2.91 in (73.91 mm)

### Environment

Certifications	UL Listed CSA
----------------	------------------

\* Price is "List Price" and may be subject to a trade discount – check with your local distributor or retailer for actual price.

Ambient Rating	104 °F (40 °C)
----------------	----------------

## Ordering and shipping details

Category	00015 - QOB CIRCUIT BREAKERS
Discount Schedule	DE2
GTIN	00785901477495
Nbr. of units in pkg.	96
Package weight(Lbs)	96 lb(US) (43.54 kg)
Returnability	Yes
Country of origin	MX

## Packing Units

Package 1 Height	1.00 in (2.540 cm)
Package 1 width	3.60 in (9.144 cm)
Package 1 Length	3.60 in (9.144 cm)

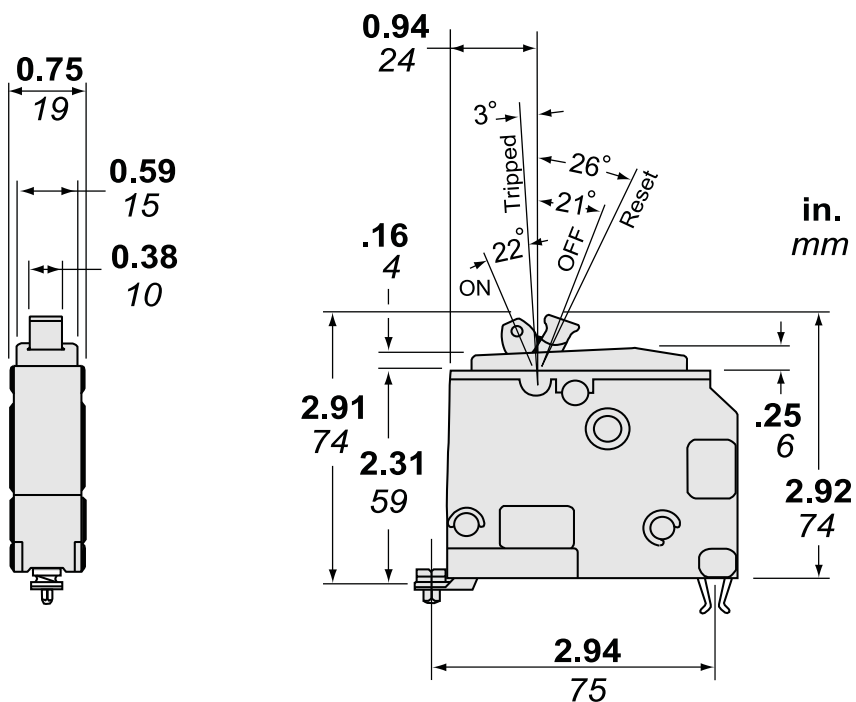
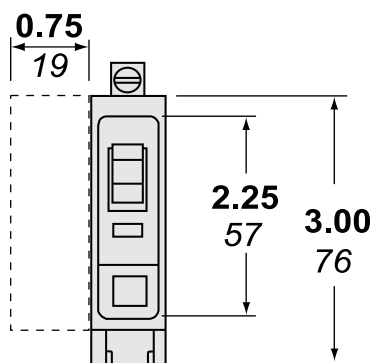
## Offer Sustainability

Sustainable offer status	Green Premium product
REACH Regulation	<a href="#">REACH Declaration</a>
REACH free of SVHC	Yes
EU RoHS Directive	Compliant <a href="#">EU RoHS Declaration</a>
Mercury free	Yes
RoHS exemption information	<a href="#">Yes</a>
China RoHS Regulation	<a href="#">China RoHS declaration</a> Product out of China RoHS scope. Substance declaration for your information.
Environmental Disclosure	<a href="#">Product Environmental Profile</a>
Halogen content performance	Halogen free product

## Contractual warranty

Warranty	18 months
----------	-----------

Dimensions



Dimensions are approximate. Refer to technical documentation for additional detail.