

# Product data sheet

## Characteristics

# QO360VH

Mini circuit breaker, QO, 60A, 3 pole, 120/240 VAC, 22 kA, plug in mount

Product availability : Stock - Normally stocked in distribution facility



Price\* : 371.00 USD



### Main

Product	Miniature circuit-breaker
Range	QO
Current Rating	60 A
Voltage Rating	120/240 V AC 240 V 120 V
Mounting Type	Plug-in
Number of Poles	3P
Circuit Breaker Type	Standard
Ratings	HACR rated
Electrical Connection	Box lugs

### Complementary

Interrupt Rating	22 kA 120/240 V AC 50/60 Hz 22 kA 240 V AC 50/60 Hz 22 kA 120 V AC 50/60 Hz
Number of Panel Spaces	3
Wire Size	AWG 8...AWG 2 copper or aluminium
Tightening Torque	40.71 lbf.in (4.6 N.m)
Height	3.12 in (79.25 mm)
Width	2.25 in (57.15 mm)
Depth	2.91 in (73.91 mm)

### Environment

Certifications	UL Listed CSA
----------------	------------------

\* Price is "List Price" and may be subject to a trade discount – check with your local distributor or retailer for actual price.

Ambient Rating	104 °F (40 °C)
----------------	----------------

## Ordering and shipping details

Category	00926 - QO IND SPECIALTY CB
Discount Schedule	DE2A
GTIN	00785901060222
Nbr. of units in pkg.	1
Package weight(Lbs)	16.64 oz (471.736 g)
Returnability	Yes
Country of origin	MX

## Packing Units

Unit Type of Package 1	PCE
Package 1 Height	2.30 in (5.842 cm)
Package 1 width	3.90 in (9.906 cm)
Package 1 Length	3.40 in (8.636 cm)

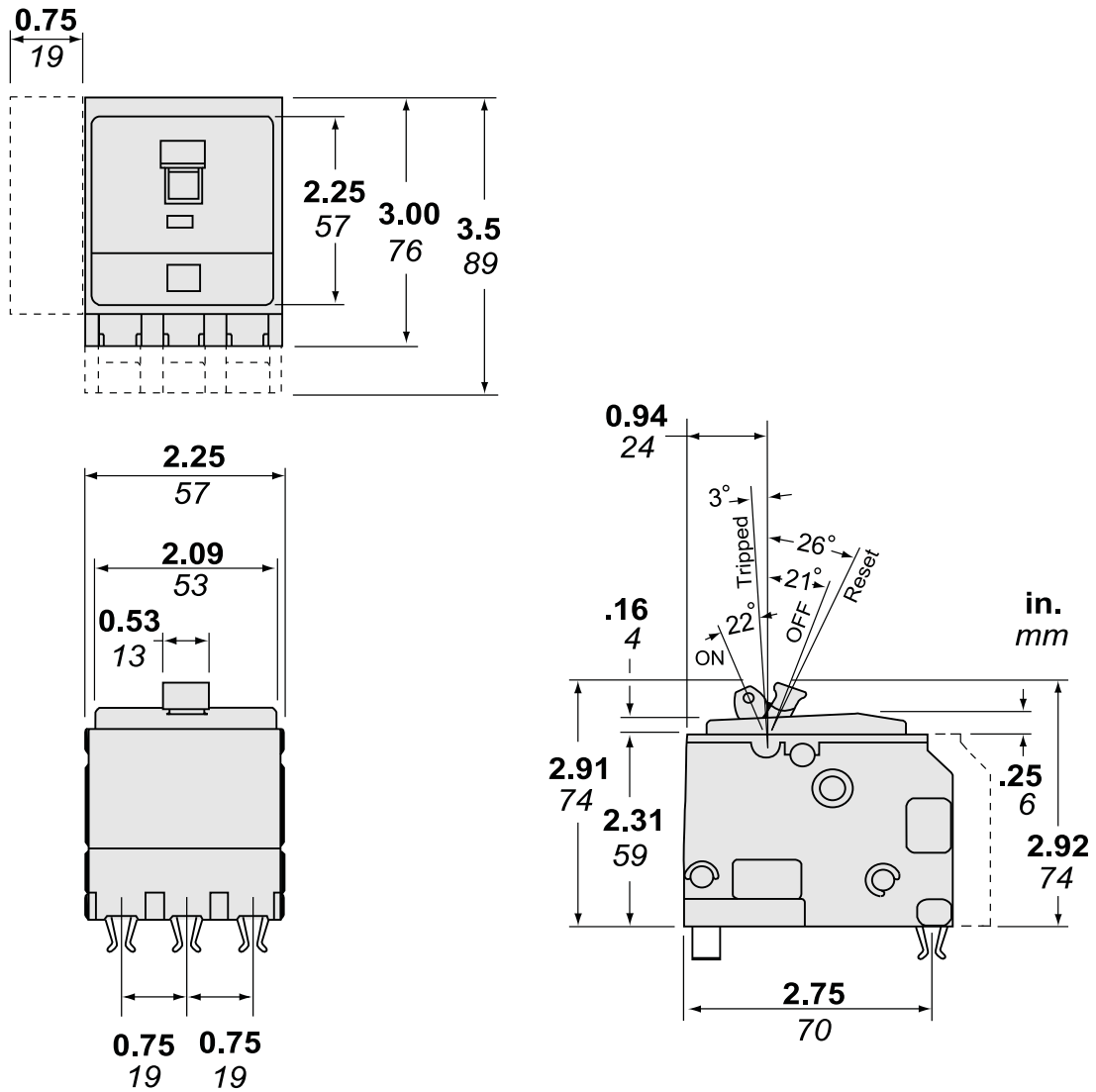
## Offer Sustainability

Sustainable offer status	Green Premium product
REACH Regulation	<a href="#">REACH Declaration</a>
REACH free of SVHC	Yes
EU RoHS Directive	Compliant <a href="#">EU RoHS Declaration</a>
Mercury free	Yes
RoHS exemption information	<a href="#">Yes</a>
China RoHS Regulation	<a href="#">China RoHS declaration</a> Product out of China RoHS scope. Substance declaration for your information.
Environmental Disclosure	<a href="#">Product Environmental Profile</a>
Halogen content performance	Halogen free product

## Contractual warranty

Warranty	18 months
----------	-----------

Dimensions



Dimensions are approximate. Refer to technical documentation for additional detail.