

Product data sheet

Characteristics

QO3601042

Mini circuit breaker, QO, 60A, 3 pole, 120/240 VAC, 10 kA, plug in mount, AC/DC shunt trip



Price* : 437.00 USD



Main

| | |
|-----------------------|---|
| Product | Miniature circuit-breaker |
| Range | QO |
| Current Rating | 60 A |
| Voltage Rating | 120/240 V AC 240 V AC 120 V AC 48 V DC |
| Mounting Type | Plug-in |
| Number of Poles | 3P |
| Circuit Breaker Type | Standard |
| Ratings | HACR rated |
| Electrical Connection | Box lugs |
| Options | Shunt trip 12/24 V AC/DC |

Complementary

| | |
|------------------------|---|
| Interrupt Rating | 10 kA 120/240 V AC 50/60 Hz 10 kA 240 V AC 50/60 Hz 10 kA 120 V AC 50/60 Hz 5 kA 48 V DC |
| Number of Panel Spaces | 4 |
| Wire Size | AWG 8...AWG 2 copper or aluminium |
| Tightening Torque | 44.25 lbf.in (5 N.m) 0.02...0.04 in ² (10...25 mm ²) (AWG 8...AWG 2) |
| Height | 3.12 in (79.25 mm) |
| Width | 3 in (76.20 mm) |
| Depth | 2.91 in (73.91 mm) |

* Price is "List Price" and may be subject to a trade discount – check with your local distributor or retailer for actual price.

Environment

| | |
|----------------|------------------|
| Certifications | UL Listed CSA |
| Ambient Rating | 104 °F (40 °C) |

Ordering and shipping details

| | |
|---------------------|---------------------------------|
| Category | 00012-QO 3 POLE CIRCUIT BREAKER |
| Discount Schedule | DE2A |
| GTIN | 00785901088462 |
| Package weight(Lbs) | 19.36 oz (548.847 g) |
| Returnability | No |
| Country of origin | MX |

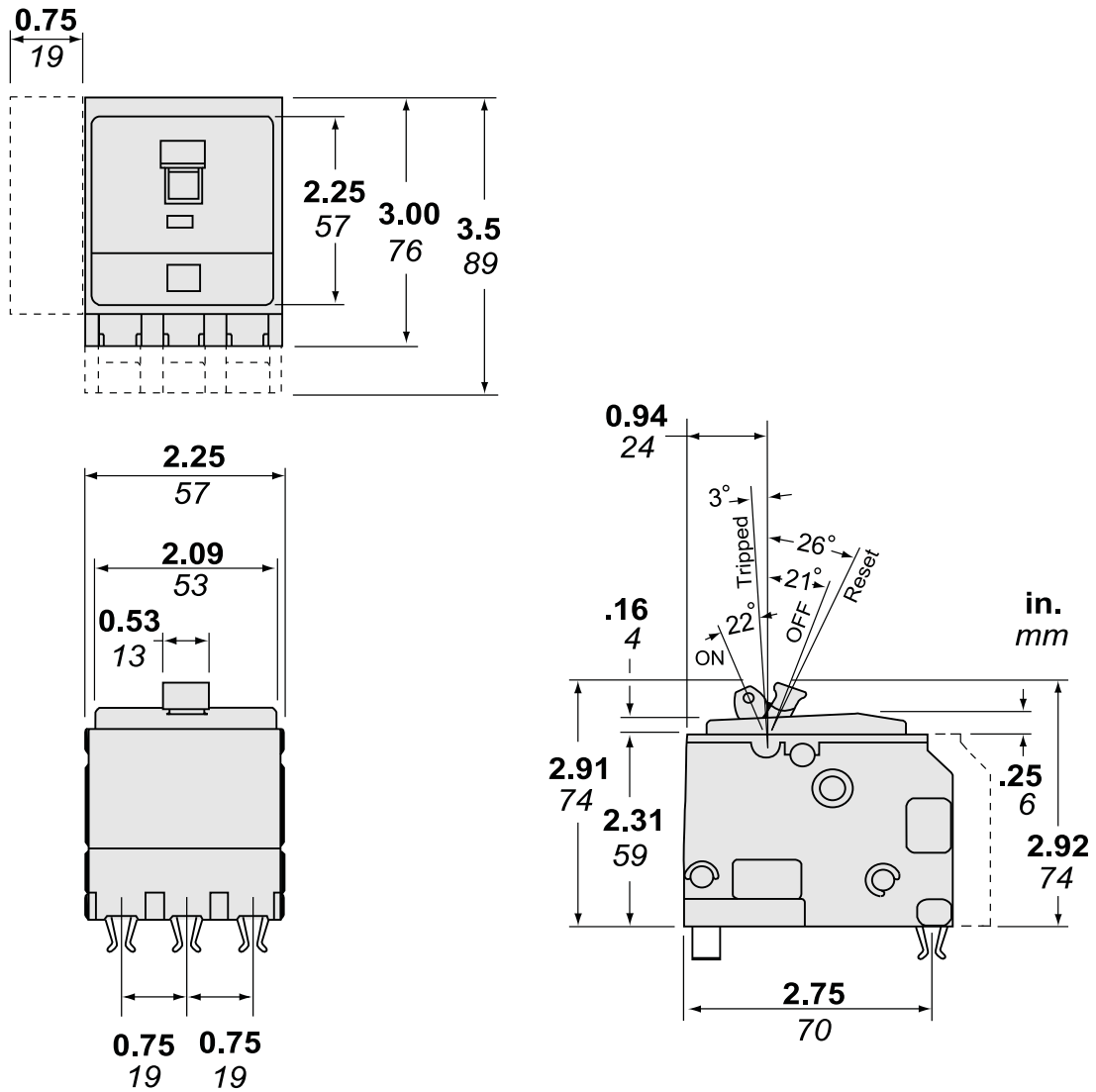
Offer Sustainability

| | |
|-----------------------------|---|
| Sustainable offer status | Green Premium product |
| REACH free of SVHC | Yes |
| EU RoHS Directive | Compliant EU RoHS Declaration |
| Toxic heavy metal free | Yes |
| Mercury free | Yes |
| RoHS exemption information | Yes |
| China RoHS Regulation | China RoHS declaration Pro-active China RoHS declaration (out of China RoHS legal scope) |
| Environmental Disclosure | Product Environmental Profile |
| Halogen content performance | Halogen free product |

Contractual warranty

| | |
|----------|-----------|
| Warranty | 18 months |
|----------|-----------|

Dimensions



Dimensions are approximate. Refer to technical documentation for additional detail.

Wiring Diagram

Shunt Trip Wiring Diagram

