

# Product data sheet

## Characteristics

# QHB125

Mini circuit breaker, QO, 25A, 1 pole, 120/240 VAC, 65 kA, bolt on mount



Price\* : 122.00 USD



### Main

Product	Miniature circuit-breaker
Range	QO
Current Rating	25 A
Voltage Rating	120/240 V AC 120 V AC
Mounting Type	Bolt-on
Number of Poles	1P
Circuit Breaker Type	Standard
Ratings	HACR rated
Electrical Connection	Pressure plate

### Complementary

Interrupt Rating	65 kA 120/240 V AC 50/60 Hz 65 kA 120 V AC 50/60 Hz
Number of Panel Spaces	1
Wire Size	AWG 14...AWG 8 copper or aluminium
Tightening Torque	40.71 lbf.in (4.6 N.m)
Height	3 in (76.20 mm)
Width	0.75 in (19.05 mm)
Depth	2.91 in (73.91 mm)

### Environment

Certifications	UL Listed CSA
Ambient Rating	104 °F (40 °C)

\* Price is "List Price" and may be subject to a trade discount – check with your local distributor or retailer for actual price.

## Ordering and shipping details

Category	00015-QOB CIRCUIT BREAKERS
Discount Schedule	DE2
GTIN	00785901362319
Nbr. of units in pkg.	1
Package weight(Lbs)	4.80 oz (136.078 g)
Returnability	Yes
Country of origin	MX

## Packing Units

Unit Type of Package 1	PCE
Package 1 Height	0.70 in (1.778 cm)
Package 1 width	3.30 in (8.382 cm)
Package 1 Length	3.30 in (8.382 cm)

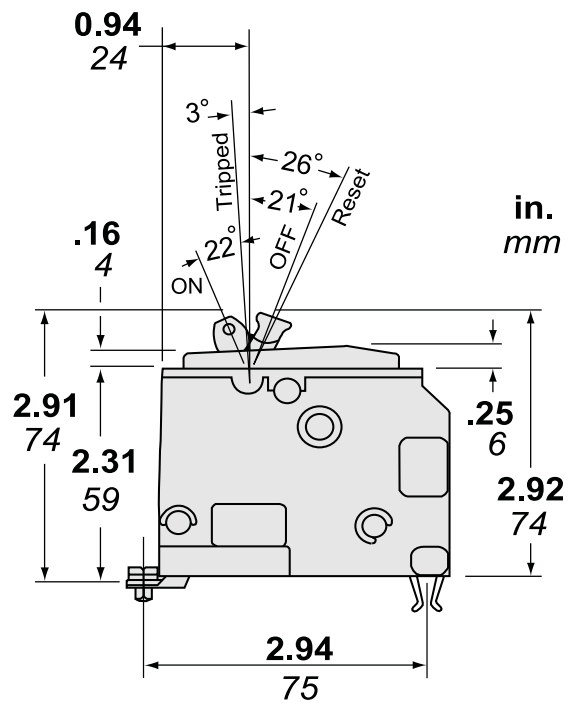
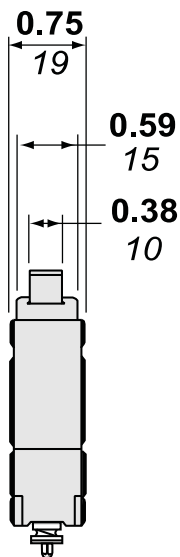
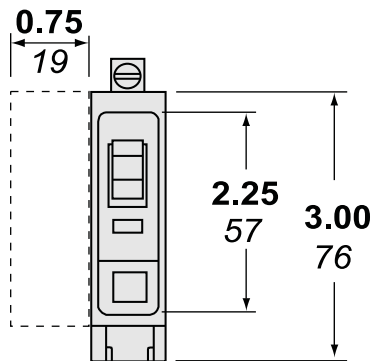
## Offer Sustainability

REACH Regulation	<a href="#">REACH Declaration</a>
REACH free of SVHC	Yes
EU RoHS Directive	Compliant <a href="#">EU RoHS Declaration</a>
Mercury free	Yes
RoHS exemption information	<a href="#">Yes</a>
China RoHS Regulation	<a href="#">China RoHS declaration</a> Product out of China RoHS scope. Substance declaration for your information.

## Contractual warranty

Warranty	18 months
----------	-----------

Dimensions



Dimensions are approximate. Refer to technical documentation for additional detail.