

MJL26300

Circuit Breaker, PowerPact M, unit mount,
electronic trip, 300A, 2 pole, 25 kA, 600 VAC, lugs
both ends



⚠ To be discontinued

Commercial status

To be discontinued on: 31 December 2021

To be end-of-service on: 31 December 2022

Main

Product or component type	Circuit breaker
---------------------------	-----------------

Complementary

Line Rated Current	300 A
Number of Poles	2P
Breaking capacity code	J
Magnetic Tripping Current	600...3000 A
Electrical connection	Lugs load Lugs line
Terminal identifier	AL800M23K
Tightening torque	442.54 lbf.in (50 N.m) 0.15...0.37 in ² (95...240 mm ²) (AWG 3/0...500 kcmil)
Height	12.86 in (326.6 mm)
Width	0.32 in (8.06 mm)
Depth	8.27 in (210 mm)
Continuous current rating	80 %

Ordering and shipping details

Category	01205-MG, MJ UNIT MOUNT BREAKER
Discount Schedule	DE2
GTIN	00785901689683
Package weight(Lbs)	28.00 lb(US) (12.701 kg)
Returnability	Yes
Country of origin	US

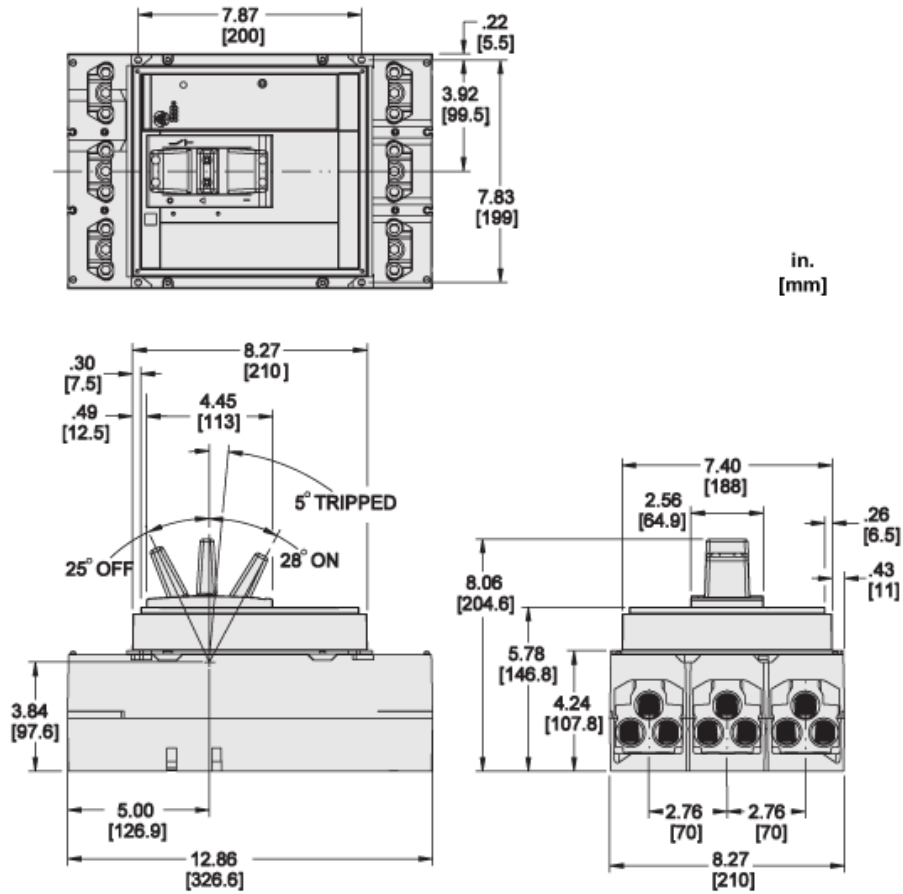
Offer Sustainability

Sustainable offer status	Green Premium product
California proposition 65	WARNING: This product can expose you to chemicals including: DINP, which is known to the State of California to cause cancer, and DIDP, which is known to the State of California to cause birth defects or other reproductive harm. For more information go to www.P65Warnings.ca.gov
REACH Regulation	REACH Declaration
EU RoHS Directive	Compliant EU RoHS Declaration
Mercury free	Yes
RoHS exemption information	Yes
China RoHS Regulation	China RoHS declaration Product out of China RoHS scope. Substance declaration for your information.
Environmental Disclosure	Product Environmental Profile
Circularity Profile	End of Life Information
PVC free	Yes

Contractual warranty

Warranty	18 months
----------	-----------

Approximate Dimensions



MJL26300 is replaced by:

Unit Mount MCCB MJL26800E10

Circuit breaker, PowerPact M, adj trip, unit mount, 300A-800A, 2 pole, 25 kA, 600 V, lugs

Qty 1