

www.se.com  
W9 1378085 0511 A08  
05 - 2021

**HAZARD OF ELECTRIC SHOCK, EXPLOSION, OR ARC FLASH**  
Disconnect all power before servicing equipment. Failure to follow these instructions will result in death or serious injury.  
电击、爆炸或电弧闪光危险  
在此电力设备上进行操作时，请先断开所有电源。不遵循上述说明将导致人员伤亡。

**▲▲ DANGER / 危险**

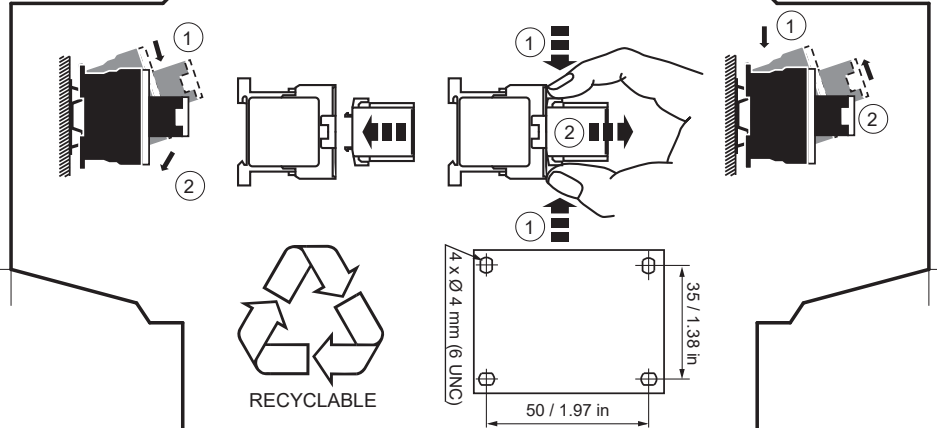
For Motor Starting Use Schneider Electric Overload Relay Series LR.  
电动机启动请使用施耐德电气LR系列过载继电器。

Philips N 2		Ø6								
mm	mm <sup>2</sup>	mm <sup>2</sup>	mm <sup>2</sup>	mm	mm <sup>2</sup>	mm <sup>2</sup>	mm	C	L	Ø
1 x 6,35	0,34	0,34...	0,75	0,75...	1,5	1,5...	7	1.3	7	3
2 x 2,8	·	2,5	·	4	·	4	·			
	2,5	0,34...	4	0,75...	4	1,5...				
		1,5		4		4				

AWG : 1 x 18 min, 2 x 14 or 1 x 12 max  
规格: 1 x 18最小值, 2 x 14或1 x 12最大值

Torque 1.3 N.m (12 lb-in) max  
扭矩: 1.3 N.m (12 lb-in)最大值

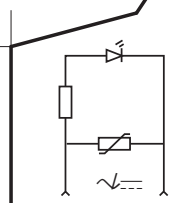
3P AC TeSys K contactors are grade 2 according to GB 21518.  
Maximum power consumption lower than 5.0 VA.  
根据 GB 21518 标准, 三极 TeSys K 系列交流接触器能效等级为2级, 产品最大功耗功率低于5.0 VA



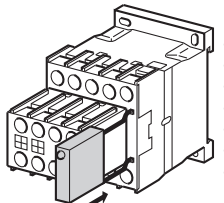
**▲ WARNING / 警告**

**RISK OF FIRE OR ELECTRIC SHOCK (FOR CONTACTOR WITH UL HI-FAULT SHORT CIRCUIT CURRENT RATINGS ONLY)**  
The opening of the branch-circuit protective device may be an indication that a fault current has been interrupted.  
To reduce the risk of fire or electric shock, current-carrying parts and the other components of the controller should be examined and replaced if damaged.  
**Failure to follow these instructions can result in death, serious injury, or equipment damage.**

可能有火灾或者触电的危险 (仅限UL高故障短路电流额定值的接触器)。支路保护设备断开, 表明故障电流已被中断。为降低火灾或触电风险, 应检查带电部件和其它控制元件, 如有损坏, 需及时更换。不遵循上述说明可能导致人员伤亡或设备损坏。

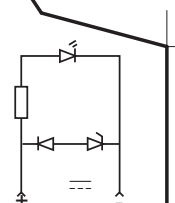


**LA4 KE.** Schneider Electric Industries SAS  
35 Rue Joseph Monier  
92506 Rueil Malmaison,  
France



- Surge suppressor
- Limiteur de surtension
- Überspannungsbegrenzer
- Limitatore di sovratensione
- Limitador de sobretención
- Limitador de sobretensão
- 浪涌抑制器

Schneider Electric Limited  
Stafford Park 5  
Telford, TF3 3BL  
United Kingdom  
www.se.com/uk



**LA4 KC.**