

# HU366R

Safety switch, heavy duty, non fusible, 600A, 3 poles, 500 hp, 600 VAC/DC, NEMA 3R

Product availability : Stock - Normally stocked in distribution facility



Price\* : 7,683.00 USD



## Main

Product	Single Throw Safety Switch
Duty Rating	Heavy duty
Device application	Heavy application
Disconnect Type	Non-fusible disconnect
Factory Installed Neutral	None
Phase	3 phase
Number of Poles	3
Current Rating	600 A
Voltage Rating	600 V AC/DC
Enclosure Rating	NEMA 3R galvanized steel
Maximum Horse Power Rating	200 hp 240 V at AC 50-60 Hz for 3 phase conforming to NEC 430.52 400 hp 480 V at AC 50-60 Hz for 3 phase conforming to NEC 430.52 500 hp 600 V at AC 50-60 Hz for 3 phase conforming to NEC 430.52 50 hp 250 V at DC conforming to NEC 430.52 50 hp 600 V at DC

## Complementary

Mounting Type	Surface
Electrical Connection	Lugs
Wiring configuration	3-wire
Wire Size	AWG 3/0...500 kcmil copper or aluminium
Tightening torque	375 lbf.in (42.37 N.m) (AWG 3/0...500 kcmil)
Depth	10.13 in (257.30 mm)
Width	27.88 in (708.15 mm)
Height	50.31 in (1277.87 mm)
Net Weight	195.11 lb(US) (88.5 kg)

\* Price is "List Price" and may be subject to a trade discount – check with your local distributor or retailer for actual price.

## Environment

Certifications	UL listed file E2875
----------------	----------------------

## Ordering and shipping details

Category	00054 - H&HU SW,NEMA3R,400-1200A
Discount Schedule	DE1
GTIN	00785901452164
Nbr. of units in pkg.	1
Package weight(Lbs)	167.99 lb(US) (76.2 kg)
Returnability	Yes
Country of origin	MX

## Packing Units

Unit Type of Package 1	PCE
Package 1 Height	13.50 in (34.3 cm)
Package 1 width	28.19 in (71.6 cm)
Package 1 Length	51.30 in (130.3 cm)

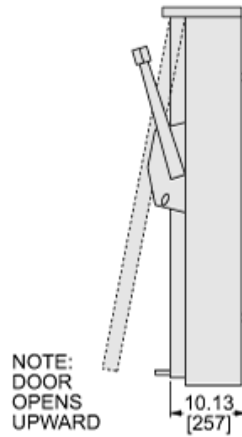
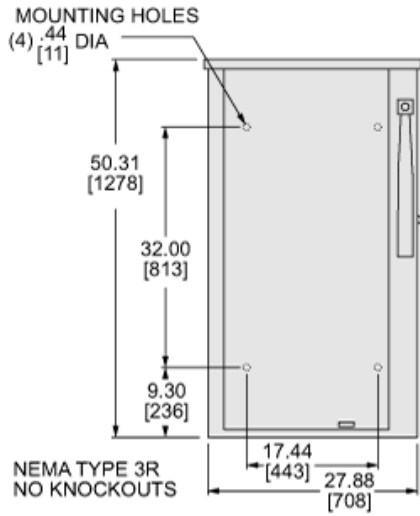
## Offer Sustainability

Sustainable offer status	Green Premium product
California proposition 65	WARNING: This product can expose you to chemicals including: Lead and lead compounds, which is known to the State of California to cause cancer and birth defects or other reproductive harm. For more information go to <a href="http://www.P65Warnings.ca.gov">www.P65Warnings.ca.gov</a>
RECh Regulation	<a href="#">RECh Declaration</a>
RECh free of SVHC	Yes
EU RoHS Directive	Compliant <a href="#">EU RoHS Declaration</a>
Mercury free	Yes
RoHS exemption information	<a href="#">Yes</a>
China RoHS Regulation	<a href="#">China RoHS declaration</a> Product out of China RoHS scope. Substance declaration for your information.
Environmental Disclosure	<a href="#">Product Environmental Profile</a>
PVC free	Yes
Halogen content performance	Halogen free plastic parts product

## Contractual warranty

Warranty	18 months
----------	-----------

Approximate Dimensions



in.  
[mm]

