

HU266R

Safety switch, heavy duty, non fusible, 600A, 2 poles, 400 hp, 600 VAC/DC, NEMA 3R

Product availability : Non-Stock - Not normally stocked in distribution facility



Price* : 7,533.00 USD



Main

Product	Single Throw Safety Switch
Duty Rating	Heavy duty
Device application	Heavy application
Disconnect Type	Non-fusible disconnect
Factory Installed Neutral	None
Phase	3 phase
Number of Poles	2
Current Rating	600 A
Voltage Rating	600 V AC/DC
Enclosure Rating	NEMA 3R galvanized steel
Maximum Horse Power Rating	200 hp 240 V at AC 50-60 Hz for 3 phase conforming to NEC 430.52 400 hp 480 V at AC 50-60 Hz for 3 phase conforming to NEC 430.52 50 hp 250 V at DC 50 hp 600 V at DC

Complementary

Mounting Type	Surface
Electrical Connection	Lugs
Wiring configuration	2-wire
Wire Size	AWG 3/0...500 kcmil copper or aluminium
Tightening torque	375 lbf.in (42.37 N.m) (AWG 3/0...500 kcmil)
Depth	10.13 in (257.30 mm)
Width	27.88 in (708.15 mm)
Height	50.31 in (1277.87 mm)
Net Weight	164.91 lb(US) (74.8 kg)

* Price is "List Price" and may be subject to a trade discount – check with your local distributor or retailer for actual price.

Environment

Certifications	UL listed file E2875
----------------	----------------------

Ordering and shipping details

Category	00054 - H&HU SW,NEMA3R,400-1200A
Discount Schedule	DE1
GTIN	00785901259336
Nbr. of units in pkg.	1
Package weight(Lbs)	165.00 lb(US) (74.843 kg)
Returnability	No
Country of origin	MX

Packing Units

Unit Type of Package 1	PCE
Package 1 Height	19.81 in (50.31 cm)
Package 1 width	3.75 in (9.53 cm)
Package 1 Length	10.98 in (27.879 cm)

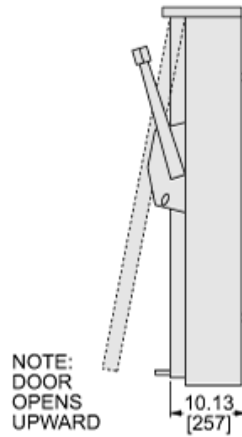
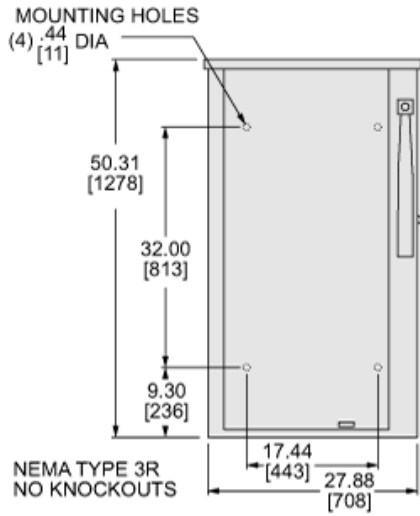
Offer Sustainability

Sustainable offer status	Green Premium product
California proposition 65	WARNING: This product can expose you to chemicals including: Lead and lead compounds, which is known to the State of California to cause cancer and birth defects or other reproductive harm. For more information go to www.P65Warnings.ca.gov
RECh Regulation	RECh Declaration
RECh free of SVHC	Yes
EU RoHS Directive	Compliant EU RoHS Declaration
Mercury free	Yes
RoHS exemption information	Yes
China RoHS Regulation	China RoHS declaration Product out of China RoHS scope. Substance declaration for your information.
Environmental Disclosure	Product Environmental Profile
PVC free	Yes
Halogen content performance	Halogen free plastic parts product

Contractual warranty

Warranty	18 months
----------	-----------

Approximate Dimensions



in.
[mm]

