

# Product data sheet

## Characteristics

# HOMT2020

Tandem mini circuit breaker, Homeline, 2 x 1 pole at 20A, 120/240 VAC, 10 kA AIR, plug in mount

Product availability : Stock - Normally stocked in distribution facility



Price\* : 52.00 USD



### Main

Product	Miniature circuit-breaker
Range	Homeline
Current Rating	20 A
Certifications	UL Listed
Voltage Rating	120/240 V AC
Mounting Type	Plug-in
Number of Poles	1P
Short Circuit Current Rating	10 kA
Number of Spaces	1
Circuit Breaker Type	Tandem
Ratings	HACR rated
Electrical Connection	Box lugs
Wire Size	AWG 14...AWG 8 aluminium/copper)1

### Complementary

Tightening torque	35.40 lbf.in (4.0 N.m) 0.00...0.01 in <sup>2</sup> (2.5...6 mm <sup>2</sup> ) (AWG 14...AWG 8)
Height	3.13 in (79.50 mm)
Width	1 in (25.40 mm)
Depth	2.98 in (75.69 mm)

### Environment

Ambient air temperature for operation	104 °F (40 °C)
---------------------------------------	----------------

\* Price is "List Price" and may be subject to a trade discount – check with your local distributor or retailer for actual price.

## Ordering and shipping details

Category	00046 - HOM/T 15-30A 1P; 15-60A 2P
Discount Schedule	DE3D
GTIN	00785901065401
Nbr. of units in pkg.	1
Package weight(Lbs)	7.20 oz (204.117 g)
Returnability	Yes
Country of origin	MX

## Packing Units

Unit Type of Package 1	PCE
Package 1 Height	3.00 in (7.62 cm)
Package 1 width	1.00 in (2.54 cm)
Package 1 Length	3.30 in (8.382 cm)
Unit Type of Package 2	CAR
Number of Units in Package 2	10
Package 2 Weight	4.55 lb(US) (2.064 kg)
Package 2 Height	3.80 in (9.652 cm)
Package 2 width	4.10 in (10.414 cm)
Package 2 Length	10.40 in (26.416 cm)
Unit Type of Package 3	BB1
Number of Units in Package 3	10
Package 3 Weight	4.55 lb(US) (2.064 kg)
Package 3 Height	3.80 in (9.652 cm)
Package 3 width	1.00 in (2.54 cm)
Package 3 Length	10.40 in (26.416 cm)

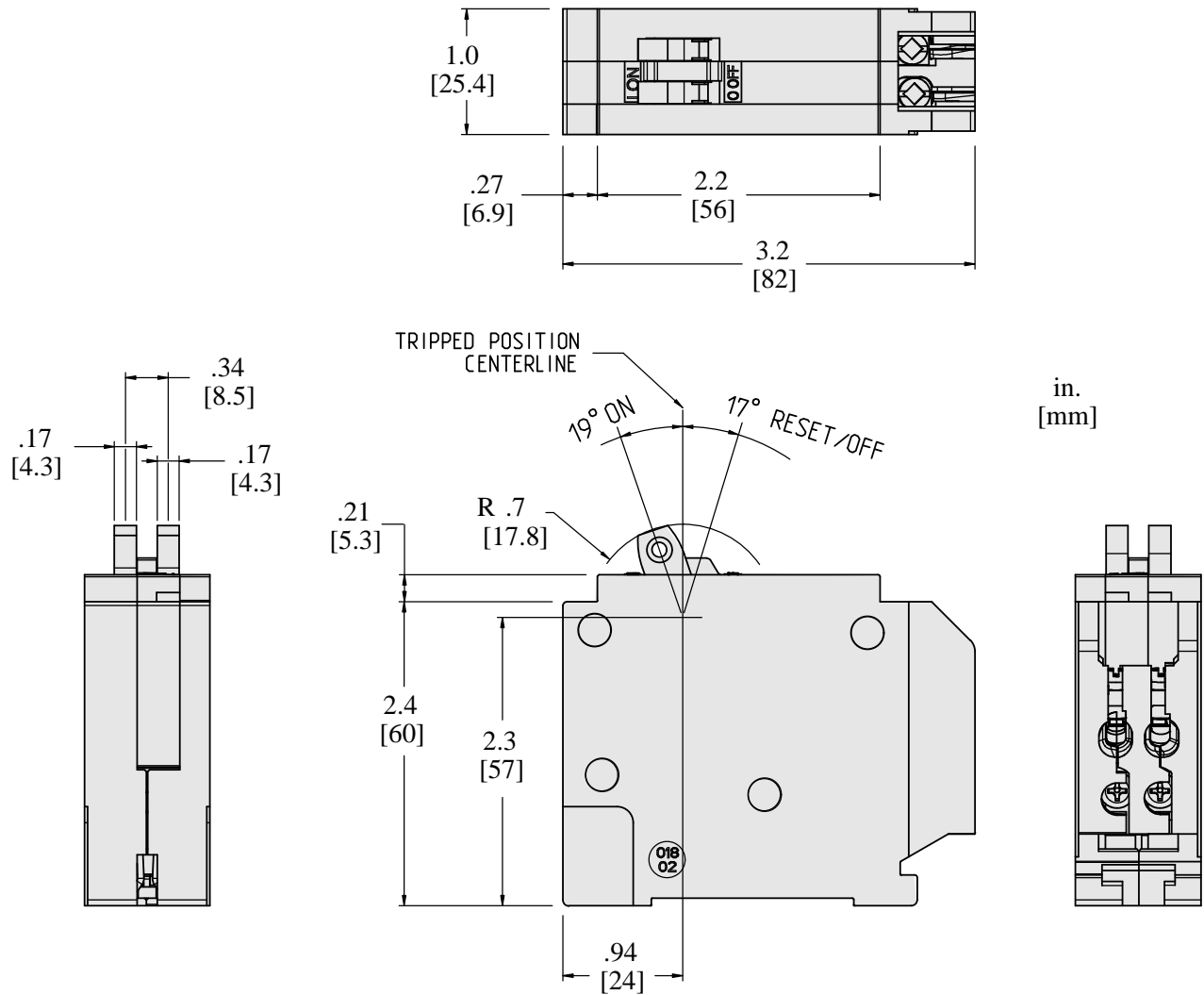
## Offer Sustainability

Sustainable offer status	Green Premium product
REACH Regulation	<a href="#">REACH Declaration</a>
REACH free of SVHC	Yes
EU RoHS Directive	Compliant <a href="#">EU RoHS Declaration</a>
Toxic heavy metal free	Yes
Mercury free	Yes
RoHS exemption information	<a href="#">Yes</a>
China RoHS Regulation	<a href="#">China RoHS declaration</a> Pro-active China RoHS declaration (out of China RoHS legal scope)
Environmental Disclosure	<a href="#">Product Environmental Profile</a>

## Contractual warranty

Warranty	Lifetime
----------	----------

Dimensions



All dimensions are approximate. Also refer to technical drawings and documentation.