

## Circuit Breaker Installation for Homeline™ Combination Service Entrance Devices

Retain for future use.

### Introduction

Homeline™ Combination Service Entrance Devices are designed to restrict the installation of more overcurrent devices than that number for which it was designed. Be advised that the plug-on connection arrangement for HOMT circuit breakers is different from HOM circuit breakers.

### DANGER

#### HAZARD OF ELECTRIC SHOCK, EXPLOSION OR ARC FLASH

- Apply appropriate personal protective equipment (PPE) and follow safe electrical work practices. See NFPA 70E, CSA Z462 or NOM-029-STPS.
- This equipment must only be installed and serviced by qualified electrical personnel.
- Turn off all power supplying this equipment before working on or inside equipment.
- Always use a properly rated voltage sensing device to confirm power is off.
- Replace all devices, doors and covers before turning on power to this equipment.

**Failure to follow these instructions will result in death or serious injury.**

### Double Row Bus Construction

Tandem circuit breaker type HOMT may be installed in combination service entrance devices where the bus bar connector has a slot at the centerline of the desired pole space. See Figure 1.

### NOTICE

#### HAZARD OF EQUIPMENT DAMAGE

Do not use excessive force to install a HOMT tandem circuit breaker where no connector slot is provided. See Figure 1.

**Failure to follow this instruction can result in damage to the circuit breaker case.**

Figure 1: HOM or HOMT Circuit Breaker

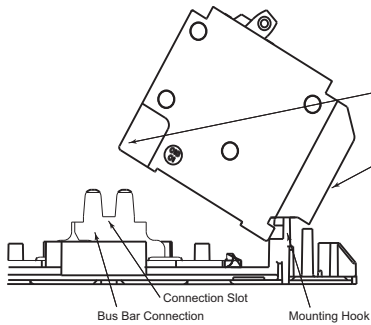
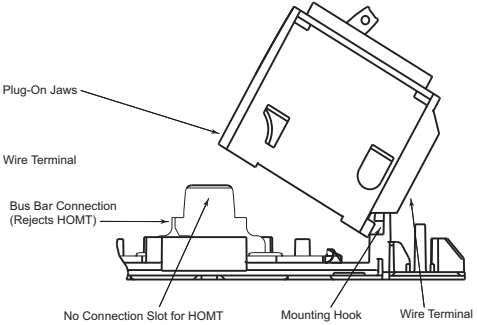


Figure 2: HOM Circuit Breaker



**Note:** Tighten all electrical connections to specifications. See lug torque data chart on combination service entrance device wiring diagram for torque specifications. See circuit breaker marking for lug torque specifications.

## Single Row Bus Construction

### **NOTICE**

#### **HAZARD OF EQUIPMENT DAMAGE**

Tandem circuit breaker type HOMT may only be installed in combination service entrance devices where the bus bar connector has a configuration as in Figure 3.

**Failure to follow this instruction can result in equipment damage.**

ENGLISH

Figure 3: HOM or HOMT Circuit Breaker

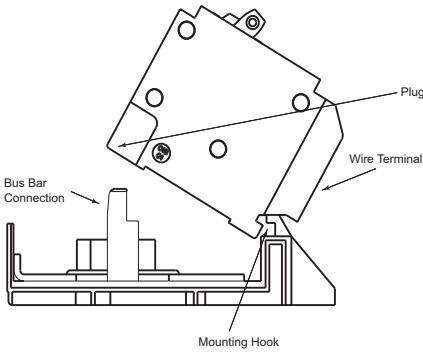
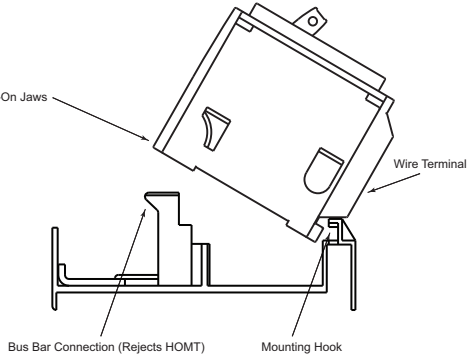


Figure 4: HOM Circuit Breaker

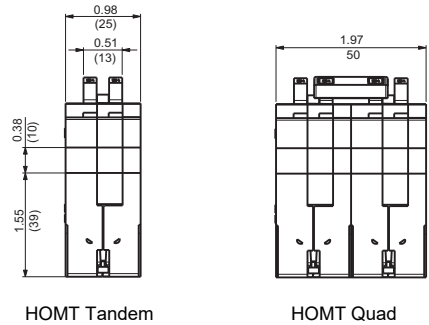
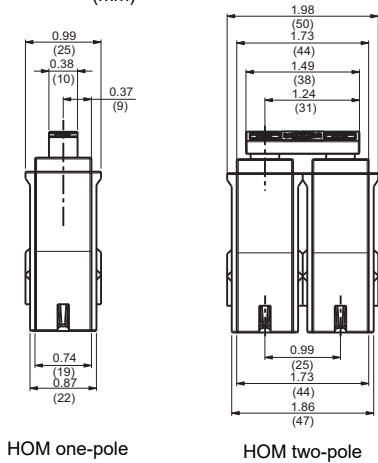


**Note:** Tighten all electrical connections to specifications. See lug torque data chart on combination service entrance device wiring diagram for torque specifications. See circuit breaker marking for lug torque specifications.

Figure 5: HOM Circuit Breaker

Figure 6: HOMT Circuit Breaker

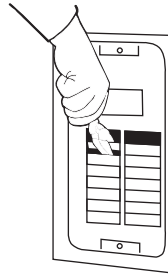
Dimensions: in.  
 (mm)



## Remove Cover Twistouts

- Remove only those twistouts which match installed circuit breakers by twisting out with pliers at the center of twistout.
- Close unused circuit breaker openings with filler plates.
- Order catalog number HOMFP for filler plates. Each filler plate closes one-pole branch circuit breaker opening.

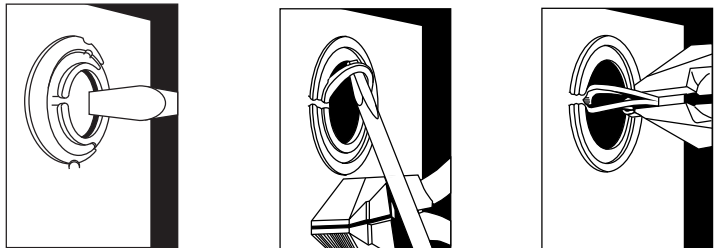
**Figure 7: Remove Cover Twistouts**



## Prepare for Installation

1. Remove knockouts. Appropriate to knockout pattern, drive center knockout inward or outward. Alternately pry up or drive in outer rings one at a time to opening required.

**Figure 8: Remove Knockouts**



2. Select the proper cable clamp, or use other approved methods for securing the cable or conduit to the enclosure.
3. Install and wire branch circuit breakers.

## ⚠ CAUTION

### HAZARD OF EQUIPMENT DAMAGE

Use only Homeline™ circuit breakers and replacement parts with this product. Use of other components voids the warranty, may void the UL listing and may result in personal injury or equipment damage. Refer to device markings for specific restrictions.

**Failure to follow this instruction can result in personal injury or equipment damage.**

## Circuit Breaker Installation

1. Turn off circuit breaker.
2. Insert wire terminal end of circuit breaker into mounting hook.
3. Push circuit breaker inward until plug-on jaws plug securely on to bus bar connector.
4. Install wires.

## Identify Circuits

Identify branch circuits on directory label or directory stickers.

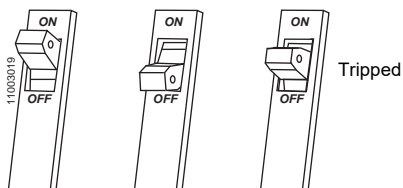
## Energize the Circuit

**Note:** Before energizing combination service entrance devices, turn main and branch circuit breakers to the OFF position.

1. Turned on power to the combination service entrance device.
2. Turn main circuit breaker ON.
3. Turn on branch circuit breakers.

Handle at mid position indicates the circuit breaker is tripped. To reset, move handle to the off position and then to the on position.

**Figure 9: Energize the Circuit**



## Removal of Circuit Breakers

1. Turn circuit breakers OFF.
2. Remove wires.
3. Disconnect plug-on jaws from bus bar connection by pulling circuit breaker outward until it disengages from mounting hook.

### **Schneider Electric USA, Inc.**

800 Federal Street  
Andover, MA 01810 USA  
1-888-778-2733  
[www.schneider-electric.us](http://www.schneider-electric.us)

Electrical equipment should be installed, operated, serviced, and maintained only by qualified personnel. No responsibility is assumed by Schneider Electric for any consequences arising out of the use of this material.

Schneider Electric and Square D are trademarks owned by Schneider Electric Industries SAS or its affiliated companies. All other trademarks are the property of their respective owners.