

Product data sheet

Characteristics

HOM120PCAFI

Mini circuit breaker, Homeline, 20A, 1 pole, 120 VAC, 10 kA AIR, combo arc fault, plug on neutral, plug in mount

Product availability : Stock - Normally stocked in distribution facility



Price* : 267.00 USD



Main

Product	Miniature circuit-breaker
Range	Homeline
Current Rating	20 A
Certifications	UL Listed
Voltage Rating	120 V AC
Mounting Type	Plug-in
Number of Poles	1P
Short Circuit Current Rating	10 kA
Number of Spaces	1
Circuit Breaker Type	Combination ARC-fault
Ratings	HACR rated
Electrical Connection	Clamp terminal for 2 cables
Wire Size	AWG 14...AWG 8 aluminium/copper)1 AWG 14...AWG 10 copper)2

Complementary

Connections - terminals	Plug-on neutral
Tightening torque	35.40 lbf.in (4.0 N.m) 0.00...0.01 in ² (2.5...6 mm ²) (AWG 14...AWG 8)
Height	3.13 in (79.50 mm)
Width	1 in (25.40 mm)
Depth	2.98 in (75.69 mm)

* Price is "List Price" and may be subject to a trade discount – check with your local distributor or retailer for actual price.

Environment

Ambient air temperature for operation	104 °F (40 °C)
---------------------------------------	----------------

Ordering and shipping details

Category	06301 - HOM SINGLE POLE ARC FAULT CIRCUIT BREAKER
Discount Schedule	DE3D
GTIN	00785901594475
Nbr. of units in pkg.	1
Package weight(Lbs)	9.76 oz (276.691 g)
Returnability	Yes
Country of origin	MX

Packing Units

Unit Type of Package 1	PCE
Package 1 Height	4.00 in (10.16 cm)
Package 1 width	1.40 in (3.556 cm)
Package 1 Length	5.10 in (12.954 cm)
Unit Type of Package 2	CAR
Number of Units in Package 2	40
Package 2 Weight	24.75 lb(US) (11.226 kg)
Package 2 Height	3.70 in (9.398 cm)
Package 2 width	13.60 in (34.544 cm)
Package 2 Length	20.80 in (52.832 cm)
Unit Type of Package 3	PAL
Number of Units in Package 3	2160
Package 3 Weight	1373.00 lb(US) (622.782 kg)
Package 3 Height	40.00 in (101.6 cm)
Package 3 width	42.00 in (106.68 cm)
Package 3 Length	42.00 in (106.68 cm)

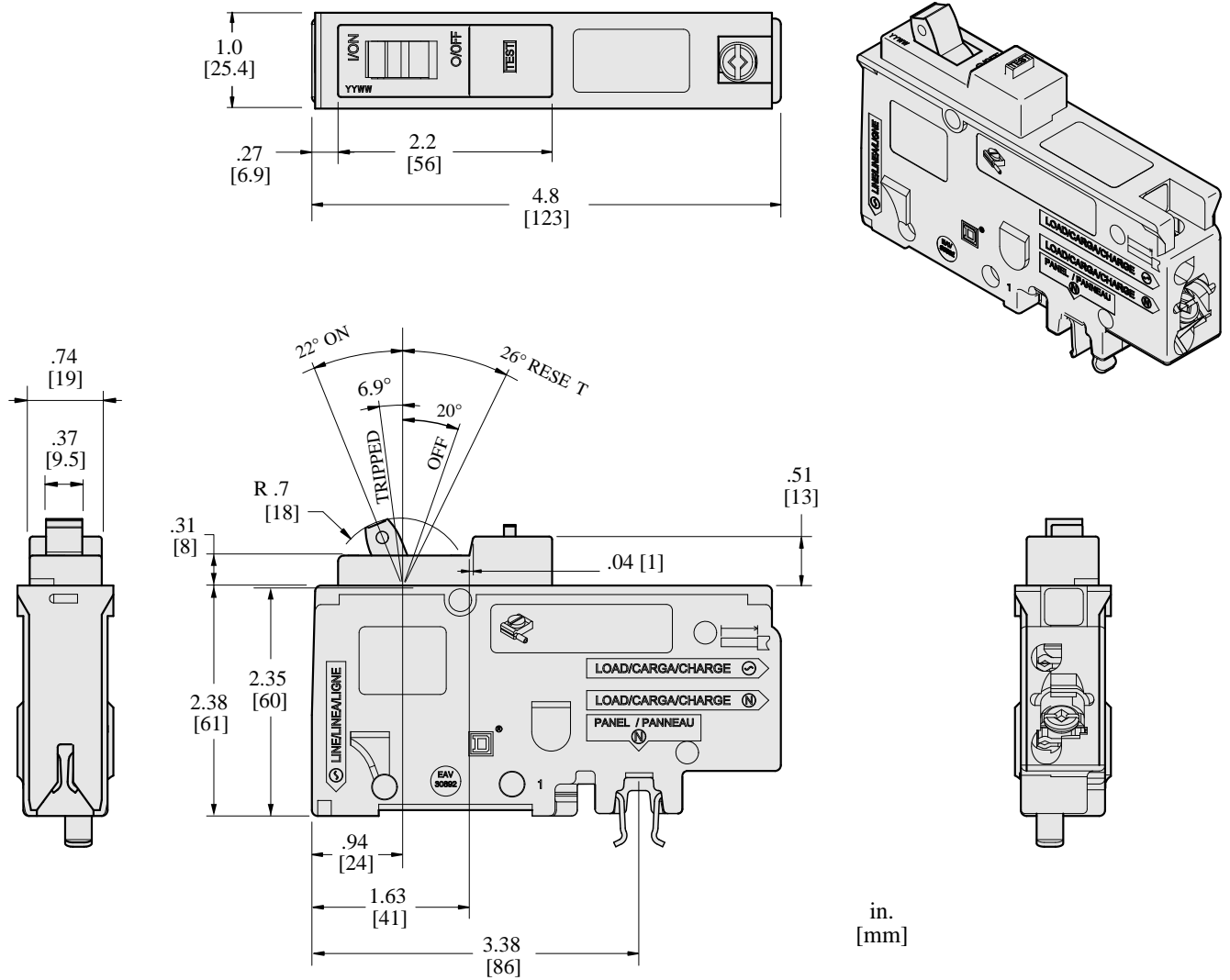
Offer Sustainability

Sustainable offer status	Green Premium product
REACH Regulation	REACH Declaration
EU RoHS Directive	Compliant EU RoHS Declaration
Mercury free	Yes
RoHS exemption information	Yes
China RoHS Regulation	China RoHS declaration Product out of China RoHS scope. Substance declaration for your information.
Environmental Disclosure	Product Environmental Profile
Circularity Profile	End of Life Information
Halogen content performance	Halogen free product

Contractual warranty

Warranty	Lifetime
----------	----------

Dimensions



All dimensions are approximate.
 Also refer to technical drawings and/or documentation