

# Product data sheet

## Characteristics

# HJL36100

Circuit breaker, PowerPacT H, thermal magnetic, unit mount, 100A, 3 pole, 25 kA, 600 VAC, 80% rated

Product availability : Stock - Normally stocked in distribution facility



Price\* : 2,099.00 USD



### Main

Range of product	PowerPacT H
Product or component type	Circuit breaker

### Complementary

Line Rated Current	100 A
Number of Poles	3P
Breaking capacity code	J
Mounting mode	Unit mount
Magnetic hold current	900 A
Magnetic tripping current	1700 A
Electrical connection	Lugs load Lugs line
Tightening torque	44.25 lbf.in (5 N.m) 0.00...0.15 in <sup>2</sup> (2.5...95 mm <sup>2</sup> ) (AWG 14...AWG 3/0)
Height	6.4 in (162.56 mm)
Width	4.12 in (104.65 mm)
Depth	4.36 in (110.74 mm)
Continuous current rating	80 %

### Environment

Product certifications	CE IEC UL Listed CSA
Ambient air temperature for operation	104 °F (40 °C)

\* Price is "List Price" and may be subject to a trade discount – check with your local distributor or retailer for actual price.

## Ordering and shipping details

Category	01115 - HG,HJ,JG,JJ UNIT MT BREAKER/SWITCH
Discount Schedule	DE2
GTIN	00785901955962
Nbr. of units in pkg.	1
Package weight(Lbs)	4.14 lb(US) (1.88 kg)
Returnability	Yes
Country of origin	MX

## Packing Units

Unit Type of Package 1	PCE
Package 1 Height	5.70 in (14.478 cm)
Package 1 width	7.40 in (18.796 cm)
Package 1 Length	8.70 in (22.098 cm)

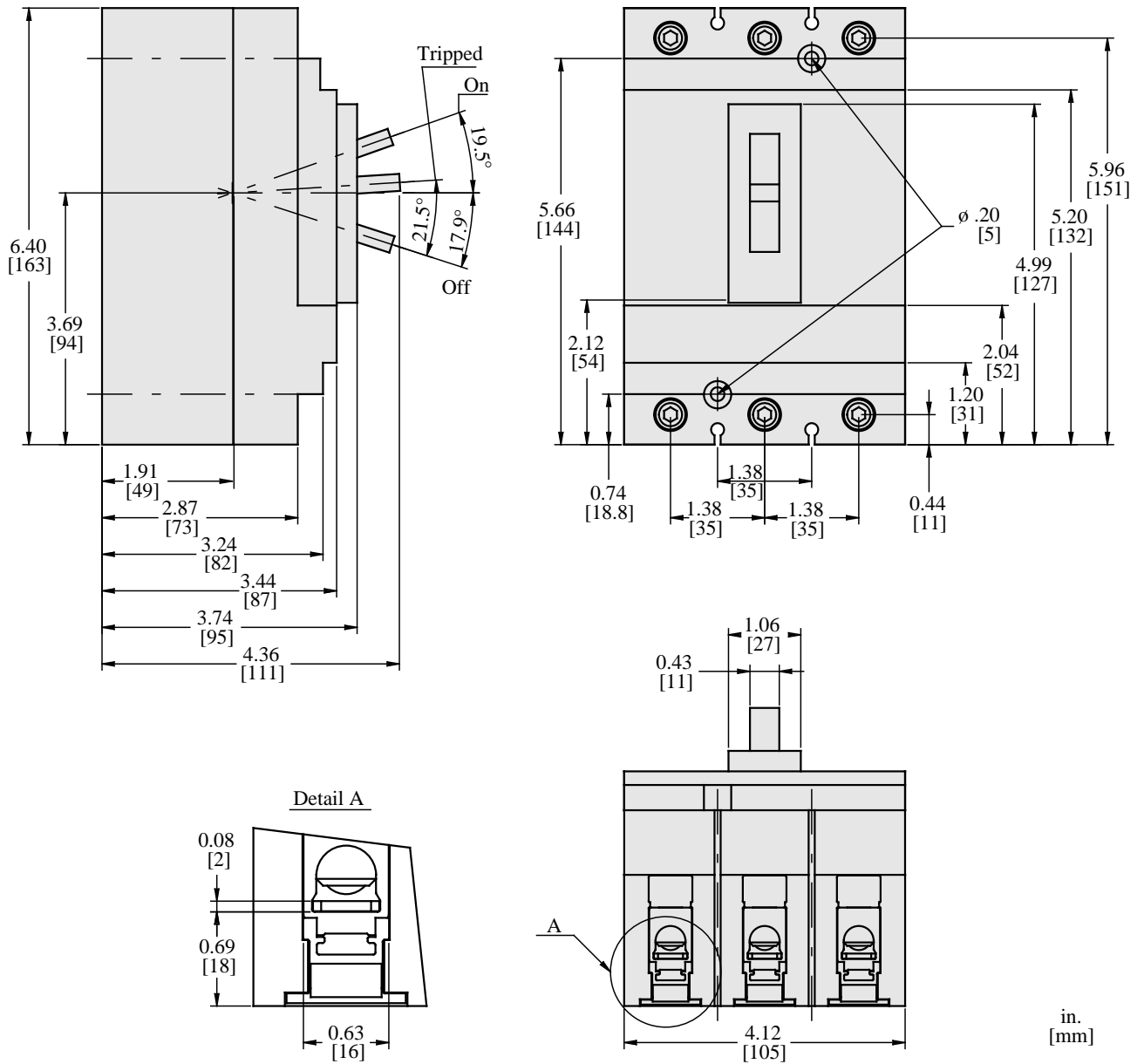
## Offer Sustainability

Sustainable offer status	Green Premium product
California proposition 65	WARNING: This product can expose you to chemicals including: DINP, which is known to the State of California to cause cancer, and DIDP, which is known to the State of California to cause birth defects or other reproductive harm. For more information go to <a href="http://www.P65Warnings.ca.gov">www.P65Warnings.ca.gov</a>
RECh Regulation	<a href="#">RECh Declaration</a>
EU RoHS Directive	Compliant <a href="#">EU RoHS Declaration</a>
Mercury free	Yes
RoHS exemption information	<a href="#">Yes</a>
China RoHS Regulation	<a href="#">China RoHS declaration</a> Product out of China RoHS scope. Substance declaration for your information.
Environmental Disclosure	<a href="#">Product Environmental Profile</a>
Circularity Profile	<a href="#">End of Life Information</a>
PVC free	Yes

## Contractual warranty

Warranty	18 months
----------	-----------

Dimensions



All dimensions are approximate. Also refer to technical drawings and documentation.