

HGL36000S15

AUTOMATIC MOLDED CASE SWITCH 600V 150A

Product availability : Stock - Normally stocked in distribution facility



Price* : 1,799.00 USD



Main

Product or component type	Automatic switch
Range of product	PowerPact H
Trip unit technology	Magnetic

Complementary

Line Rated Current	150 A
[Ue] rated operational voltage	600 V AC 250 V DC
Mounting mode	Unit mount
Poles description	3P
Short-circuit withstand	65 kA 240 V UL 489 35 kA 480 V UL 489 18 kA 600 V UL 489
Breaking capacity code	G
Electrical connection	Lugs line Lugs load
AWG gauge	AWG 14...AWG 3/0 aluminium/copper)
Terminal identifier	AL150HD
Magnetic tripping current	2250 A
Height	6.4 in (162.56 mm)
Width	2.12 in (53.85 mm)
Depth	4.36 in (110.74 mm)
Tightening torque	44.25 lbf.in (5 N.m) 0.00...0.15 in ² (2.5...95 mm ²) (AWG 14...AWG 3/0)

Environment

Product certifications	CE
------------------------	----

* Price is "List Price" and may be subject to a trade discount – check with your local distributor or retailer for actual price.

IEC
NMX
UL Listed
CCC
CSA

Ordering and shipping details

Category	01115 - HG,HJ,JG,JJ UNIT MT BREAKER/SWITCH
Discount Schedule	DE2
GTIN	00785901433958
Nbr. of units in pkg.	1
Package weight(Lbs)	4.13 lb(US) (1.875 kg)
Returnability	Yes
Country of origin	MX

Packing Units

Unit Type of Package 1	PCE
Package 1 Height	5.60 in (14.224 cm)
Package 1 width	7.50 in (19.05 cm)
Package 1 Length	8.80 in (22.352 cm)

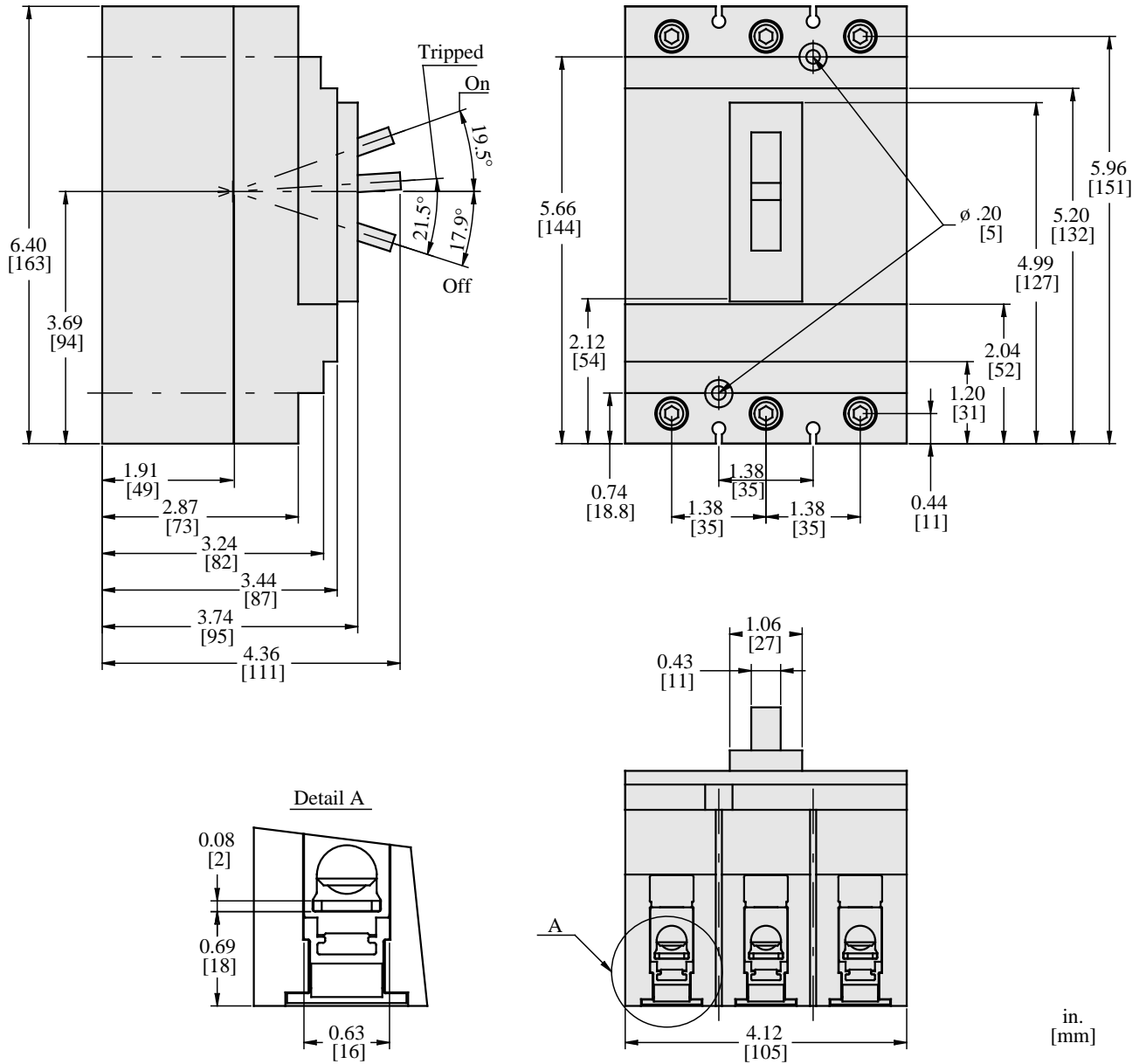
Offer Sustainability

Sustainable offer status	Green Premium product
California proposition 65	WARNING: This product can expose you to chemicals including: DINP, which is known to the State of California to cause cancer, and DIDP, which is known to the State of California to cause birth defects or other reproductive harm. For more information go to www.P65Warnings.ca.gov
RECh Regulation	RECh Declaration
EU RoHS Directive	Compliant EU RoHS Declaration
Mercury free	Yes
RoHS exemption information	Yes
China RoHS Regulation	China RoHS declaration Product out of China RoHS scope. Substance declaration for your information.
Environmental Disclosure	Product Environmental Profile
Circularity Profile	End of Life Information
PVC free	Yes

Contractual warranty

Warranty	18 months
----------	-----------

Dimensions



All dimensions are approximate. Also refer to technical drawings and documentation.