

# Product data sheet

## Characteristics

# H365N

Safety switch, heavy duty, fusible, 400A, 3 poles, 250 hp, 600 VAC/DC, neutral factory installed, NEMA1

Product availability : Stock - Normally stocked in distribution facility



Price\* : 4,898.00 USD



### Main

Product	Single Throw Safety Switch
Duty Rating	Heavy duty
Device application	Heavy application
Disconnect Type	Fusible disconnect
Factory Installed Neutral	Neutral (factory installed)
Phase	3 phase
Number of Poles	3
Current Rating	400 A
Voltage Rating	600 V AC/DC
Enclosure Rating	NEMA 1 steel
Maximum Horse Power Rating	100 hp 480 V at AC 50-60 Hz for 3 phase conforming to NEC 240.6 250 hp 480 V at AC 50-60 Hz for 3 phase conforming to NEC 430.52 125 hp 600 V at AC 50-60 Hz for 3 phase conforming to NEC 240.6 350 hp 600 V at AC 50-60 Hz for 3 phase conforming to NEC 430.52 50 hp 250 V at DC 50 hp 600 V at DC

### Complementary

Short Circuit Current Rating	10 kA H or K 200 kA R, J or L
Fuse type	H or K R, J or L
Mounting Type	Surface
Electrical Connection	Lugs
Wiring configuration	4-wire (3PH + N)
Wire Size	AWG 1/0...750 kcmil copper or aluminium

\* Price is "List Price" and may be subject to a trade discount – check with your local distributor or retailer for actual price.

Tightening torque	550 lbf.in (62.14 N.m) (AWG 1/0...750 kcmil)
Depth	10.13 in (257.30 mm)
Width	27.63 in (701.80 mm)
Height	50.25 in (1276.35 mm)
Net Weight	177.91 lb(US) (80.7 kg)

## Environment

Certifications	UL listed file E2875
----------------	----------------------

## Ordering and shipping details

Category	00053 - H&HU SW,NEMA1,400-1200A
Discount Schedule	DE1
GTIN	00785901451778
Nbr. of units in pkg.	1
Package weight(Lbs)	172.00 lb(US) (78.018 kg)
Returnability	Yes
Country of origin	MX

## Packing Units

Unit Type of Package 1	PCE
Package 1 Height	14.02 in (35.6 cm)
Package 1 width	28.50 in (72.4 cm)
Package 1 Length	51.50 in (130.8 cm)

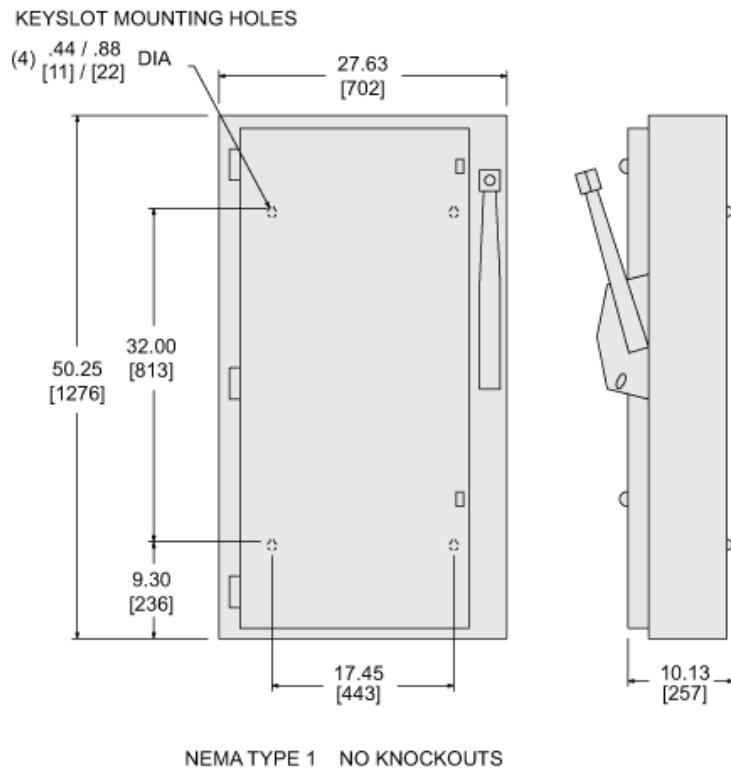
## Offer Sustainability

Sustainable offer status	Green Premium product
California proposition 65	WARNING: This product can expose you to chemicals including: Lead and lead compounds, which is known to the State of California to cause cancer and birth defects or other reproductive harm. For more information go to <a href="http://www.P65Warnings.ca.gov">www.P65Warnings.ca.gov</a>
REACH Regulation	<a href="#">REACH Declaration</a>
REACH free of SVHC	Yes
EU RoHS Directive	Compliant <a href="#">EU RoHS Declaration</a>
Mercury free	Yes
RoHS exemption information	<a href="#">Yes</a>
China RoHS Regulation	<a href="#">China RoHS declaration</a> Product out of China RoHS scope. Substance declaration for your information.
Environmental Disclosure	<a href="#">Product Environmental Profile</a>
WEEE	The product must be disposed on European Union markets following specific waste collection and never end up in rubbish bins.
PVC free	Yes
Halogen content performance	Halogen free plastic parts product

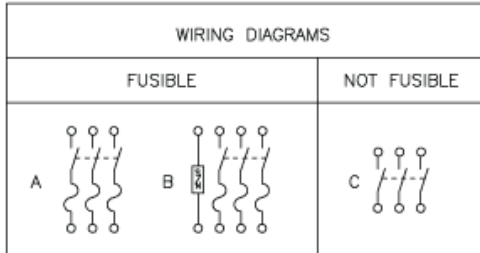
## Contractual warranty

Warranty	18 months
----------	-----------

Approximate Dimensions



Wiring Diagrams



NOTE: FOR SWITCHING DC USE TWO OUTSIDE POLES.

TERMINAL LUGS DATA			
AMPERES	MAX WIRE	MIN WIRE	TYPE
400	(1) 750 KCMIL OR (2) 300 KCMIL	(1) #1/0 AWG OR (2) #1/0 AWG	AL OR CU

CATALOG NUMBER	MAX VOLTAGE RATINGS	WIRING DIAG	HORSEPOWER RATINGS						
			240VAC		480VAC		600VAC		
			MAX	STD	MAX	STD	MAX	250 VDC	600 VDC
H365	600VAC;600VDC	A	-	100	250	125	350	50	50
H365N	600VAC;600VDC	B	-	100	250	125	350	50	50
HU365	600VAC;600VDC	C	125	-	250	-	350	50	50