

Product data sheet

Characteristics

EE50S3H

XFMR DRY 1PH 50KVA 240X480V-120/240V

Product availability : Stock - Normally stocked in distribution facility



Price* : 9,221.47 USD



Main

Product	Energy Efficient Transformer
Enclosure Code	18H
Enclosure Type	NEMA 2
Insulation Temperature	428 °F (220 °C)
Phase	1 phase
Primary Voltage	240 x 480 V
Power Rating	50 kVA
Secondary Voltage	120/240 V
Full Capacity Taps	6 2.5 % 2+ 4-
Temperature Rise	150 °C
Winding Material	Aluminium

Complementary

Height	37 in (939.80 mm)
Width	20 in (508.00 mm)
Depth	20 in (508.00 mm)
Net Weight	395.00 lb(US) (179.169 kg)

Ordering and shipping details

Category	16284 - 1 PH EE/TP1 LVGP XFMR
Discount Schedule	PE2E
GTIN	00785901709602
Nbr. of units in pkg.	1
Package weight(Lbs)	1 lb(US) (0.45 kg)
Returnability	Yes
Country of origin	MX

* Price is "List Price" and may be subject to a trade discount – check with your local distributor or retailer for actual price.

Packing Units

Package 1 Height	3.59 ft (1.095 m)
Package 1 width	1.78 ft (0.544 m)
Package 1 Length	1.77 ft (0.541 m)

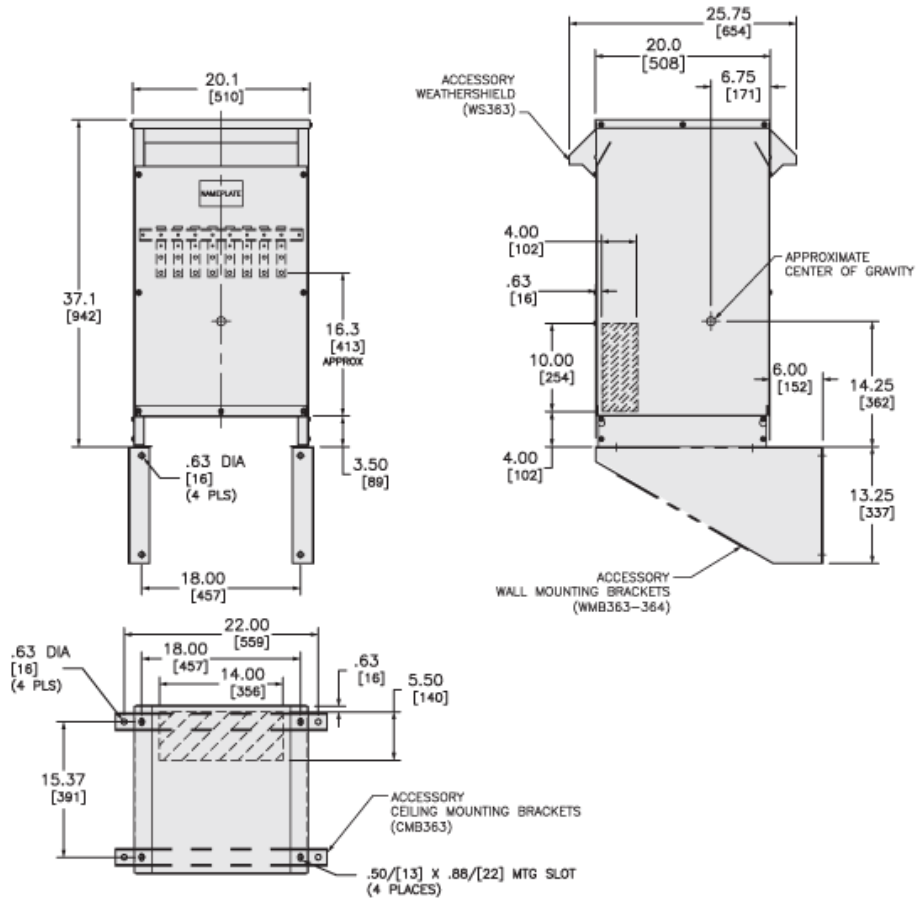
Offer Sustainability

Sustainable offer status	Green Premium product
California proposition 65	WARNING: This product can expose you to chemicals including: Phenyl Glycidyl Ether, which is known to the State of California to cause cancer and birth defects or other reproductive harm. For more information go to www.P65Warnings.ca.gov
REACH Regulation	REACH Declaration
REACH free of SVHC	Yes
EU RoHS Directive	Compliant EU RoHS Declaration
Toxic heavy metal free	Yes
Mercury free	Yes
RoHS exemption information	Yes
China RoHS Regulation	China RoHS declaration Pro-active China RoHS declaration (out of China RoHS legal scope)
Environmental Disclosure	Product Environmental Profile

Contractual warranty

Warranty	18 months
----------	-----------

Approximate Dimensions



Connections and Wiring Diagrams

SERIES CONNECTION CONNECT H2 TO H3 CONNECT LINES TO H1 & H4	
PRIMARY VOLTS	CONNECT TO TAPS
504	1 AND 8
492	1 AND 7
480	2 AND 7
468	2 AND 6
456	3 AND 6
444	3 AND 5
432	4 AND 5

PARALLEL CONNECTION CONNECT H1 TO H3, H2 TO H4 CONNECT LINES TO H1 & H4	
PRIMARY VOLTS	CONNECT TO TAPS
252	1 AND 8
240	2 AND 7
228	3 AND 6
216	4 AND 5

