

# Product data sheet

## Characteristics

# D321NRB

Safety switch, general duty, fusible, 30A, 3 poles, 7.5 hp, 240 VAC, NEMA 3R, bolt-on provision, neutral factory installed

Product availability : Stock - Normally stocked in distribution facility



Price\* : 293.00 USD



### Main

Product	Single Throw Safety Switch
Duty Rating	General duty
Device application	Residential
Disconnect Type	Fusible disconnect switch
Factory Installed Neutral	Neutral (factory installed)
Phase	3 phase
Number of Poles	3
Current Rating	30 A
Voltage Rating	240 V AC
Enclosure Rating NEMA	NEMA 3R
Maximum Horse Power Rating	1.5 hp 240 V at AC 60 Hz for 1 phase conforming to NEC 240.6 3 hp 240 V at AC 60 Hz for 3 phase conforming to NEC 240.6 3 hp 240 V at AC 60 Hz for 1 phase conforming to NEC 430.52 7.5 hp 240 V at AC 60 Hz for 3 phase conforming to NEC 430.52

### Complementary

Short Circuit Current Rating	100 kA maximum depending on fuse H, K or R
Fuse type	H, K or R
Mounting Type	Surface
Electrical Connection	Lugs
Wiring configuration	4-wire (3PH + G)
Wire Size	AWG 14...AWG 6 copper AWG 12...AWG 6 aluminium
Tightening torque	30 lbf.in (3.39 N.m) 0.00...0.02 in <sup>2</sup> (2.08...13.3 mm <sup>2</sup> ) (AWG 14...AWG 6)
Depth	3.75 in (95.25 mm)

\* Price is "List Price" and may be subject to a trade discount – check with your local distributor or retailer for actual price.

Width	7.75 in (196.85 mm)
Height	9.63 in (244.60 mm)
Net Weight	19.84 lb(US) (9 kg)

## Environment

Certifications	UL listed file E2875
----------------	----------------------

## Ordering and shipping details

Category	00106 - D & DU SW,NEMA3R, 30-200A
Discount Schedule	DE1A
GTIN	00785901461067
Nbr. of units in pkg.	1
Package weight(Lbs)	4.90 lb(US) (2.223 kg)
Returnability	Yes
Country of origin	MX

## Packing Units

Unit Type of Package 1	PCE
Package 1 Height	5.20 in (13.208 cm)
Package 1 width	7.80 in (19.812 cm)
Package 1 Length	10.00 in (25.4 cm)
Unit Type of Package 2	CAR
Number of Units in Package 2	5
Package 2 Weight	26.15 lb(US) (11.861 kg)
Package 2 Height	10.80 in (27.432 cm)
Package 2 width	10.40 in (26.416 cm)
Package 2 Length	24.10 in (61.214 cm)
Unit Type of Package 3	PAL
Number of Units in Package 3	120
Package 3 Weight	676.00 lb(US) (306.628 kg)
Package 3 Height	37.00 in (93.98 cm)
Package 3 width	40.00 in (101.6 cm)
Package 3 Length	48.00 in (121.92 cm)

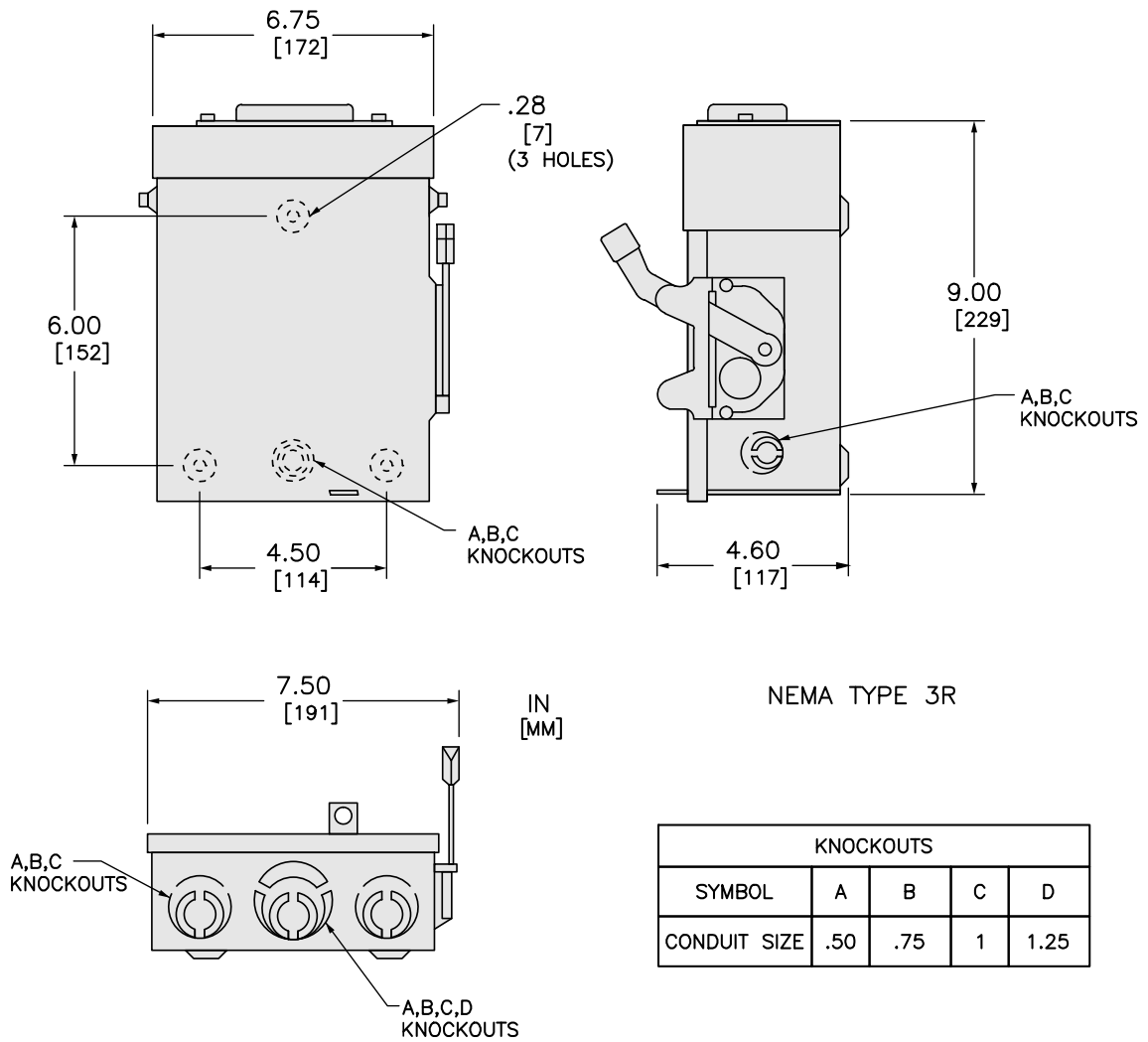
## Offer Sustainability

Sustainable offer status	Green Premium product
California proposition 65	WARNING: This product can expose you to chemicals including: Lead and lead compounds, which is known to the State of California to cause cancer and birth defects or other reproductive harm. For more information go to <a href="http://www.P65Warnings.ca.gov">www.P65Warnings.ca.gov</a>
REACH Regulation	<a href="#">REACH Declaration</a>
REACH free of SVHC	Yes
EU RoHS Directive	Compliant <a href="#">EU RoHS Declaration</a>
Mercury free	Yes
RoHS exemption information	<a href="#">Yes</a>
China RoHS Regulation	<a href="#">China RoHS declaration</a> Product out of China RoHS scope. Substance declaration for your information.
Environmental Disclosure	<a href="#">Product Environmental Profile</a>
PVC free	Yes

## Contractual warranty

Warranty	18 months
----------	-----------

Dimensions

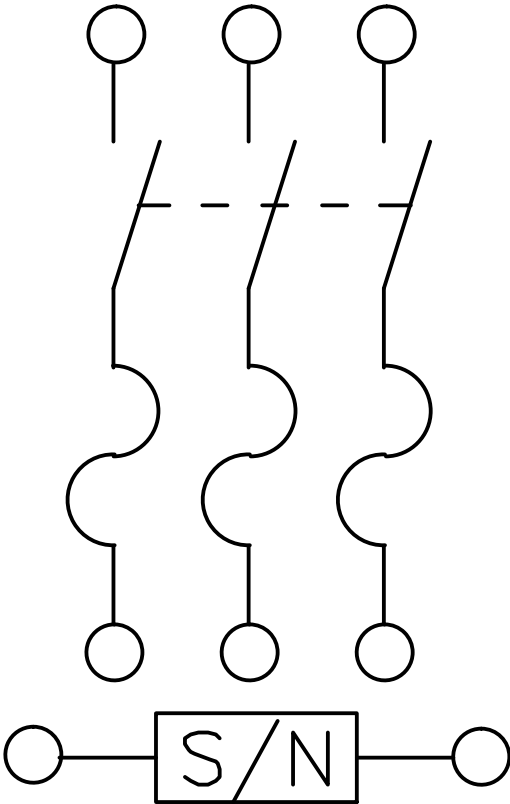


TOP OF NEMA TYPE 3R DEVICES HAVE PROVISIONS FOR MAX 2.50/[64] BOLT-ON HUB.  
 ALL DIMENSIONS ARE APPROXIMATE. REFER TO TECHNICAL DRAWINGS AND DOCUMENTATION FOR COMPLETE DETAILS.

---

Wiring Diagram

---



D321NRB