

Product data sheet

Characteristics

D223NRB

Safety switch, general duty, fusible, 100A, 2 poles, 30 hp, 120 VAC, NEMA 3R, bolt-on provision, neutral factory installed

Product availability : Stock - Normally stocked in distribution facility



Price* : 480.00 USD



Main

Product	Single Throw Safety Switch
Duty Rating	General duty
Device application	Residential
Disconnect Type	Fusible disconnect switch
Factory Installed Neutral	Neutral (factory installed)
Phase	3 phase
Number of Poles	2
Current Rating	100 A
Voltage Rating	240 V AC
Enclosure Rating NEMA	NEMA 3R
Maximum Horse Power Rating	7.5 hp 240 V at AC 60 Hz for 1 phase conforming to NEC 240.6 15 hp 240 V at AC 60 Hz for 3 phase conforming to NEC 240.6 15 hp 240 V at AC 60 Hz for 1 phase conforming to NEC 430.52 30 hp 240 V at AC 60 Hz for 3 phase conforming to NEC 430.52

Complementary

Short Circuit Current Rating	100 kA maximum depending on fuse H, K or R
Fuse type	H, K or R
Mounting Type	Surface
Electrical Connection	Lugs
Wiring configuration	3-wire
Wire Size	AWG 14...AWG 1 copper AWG 12...AWG 1 aluminium
Tightening torque	35 lbf.in (3.95 N.m) 0.00...0.01 in ² (2.08...5.26 mm ²) (AWG 14...AWG 10) 40 lbf.in (4.52 N.m) 0.01 in ² (8.37 mm ²) (AWG 8)

* Price is "List Price" and may be subject to a trade discount – check with your local distributor or retailer for actual price.

35 lbf.in (3.95 N.m) (AWG 14...AWG 10)
45 lbf.in (5.08 N.m) 0.02...0.03 in² (12.3...21.12 mm²) (AWG 6...AWG 4)
50 lbf.in (5.65 N.m) (AWG 3...AWG 1)

Depth	6.5 in (165.10 mm)
Width	10.56 in (268.22 mm)
Height	17.5 in (444.50 mm)
Net Weight	15.43 lb(US) (7 kg)

Environment

Certifications	UL listed file E2875
----------------	----------------------

Ordering and shipping details

Category	00106 - D & DU SW,NEMA3R, 30-200A
Discount Schedule	DE1A
GTIN	00785901460701
Nbr. of units in pkg.	1
Package weight(Lbs)	15.60 lb(US) (7.076 kg)
Returnability	Yes
Country of origin	US

Packing Units

Unit Type of Package 1	PCE
Package 1 Height	7.30 in (18.542 cm)
Package 1 width	10.80 in (27.432 cm)
Package 1 Length	20.00 in (50.8 cm)
Unit Type of Package 2	PAL
Number of Units in Package 2	40
Package 2 Weight	650.00 lb(US) (294.835 kg)
Package 2 Height	41.00 in (104.14 cm)
Package 2 width	41.00 in (104.14 cm)
Package 2 Length	48.00 in (121.92 cm)

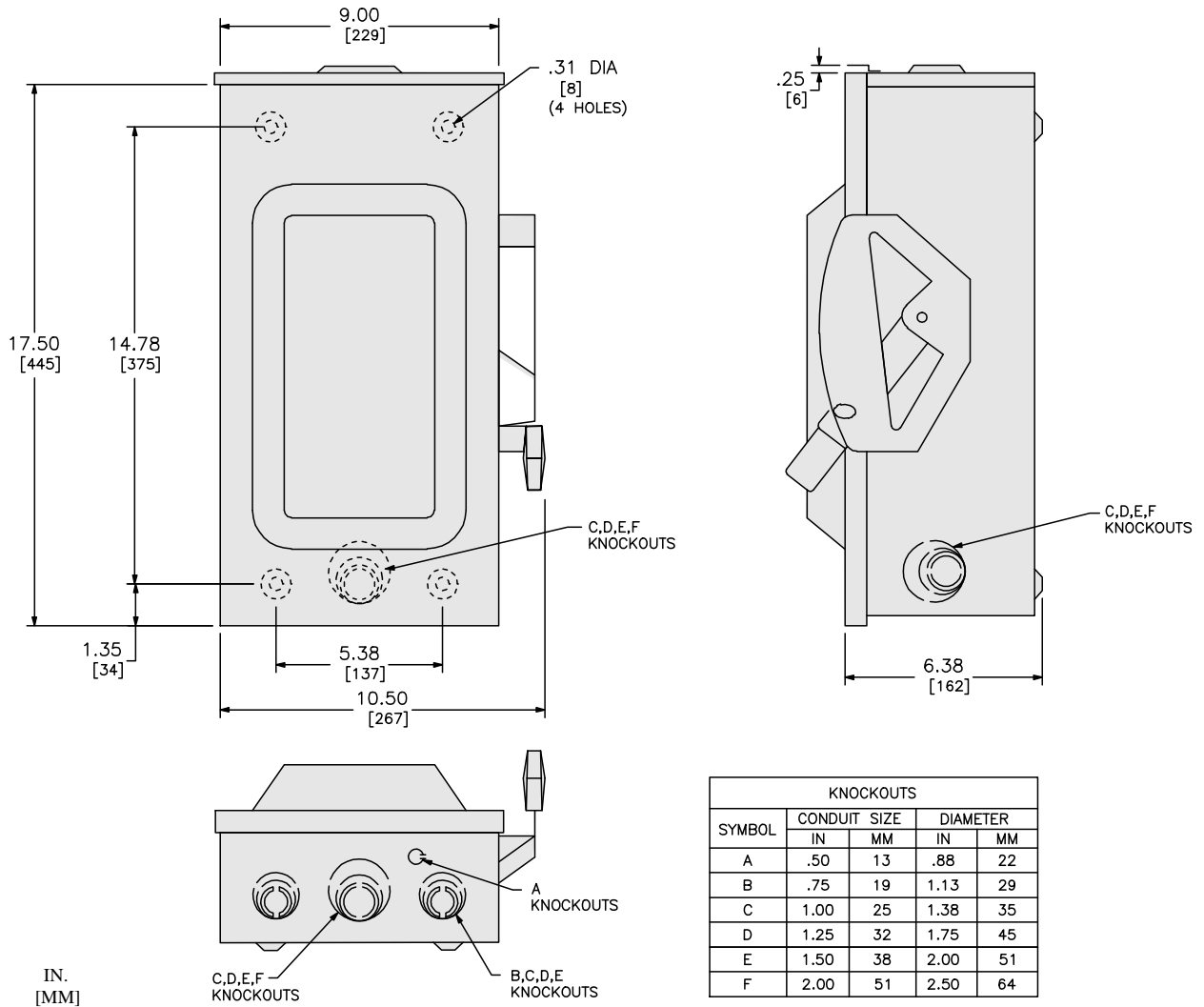
Offer Sustainability

Sustainable offer status	Green Premium product
California proposition 65	WARNING: This product can expose you to chemicals including: Lead and lead compounds, which is known to the State of California to cause cancer and birth defects or other reproductive harm. For more information go to www.P65Warnings.ca.gov
REACH Regulation	REACH Declaration
REACH free of SVHC	Yes
EU RoHS Directive	Compliant EU RoHS Declaration
Mercury free	Yes
RoHS exemption information	Yes
China RoHS Regulation	China RoHS declaration Product out of China RoHS scope. Substance declaration for your information.
Environmental Disclosure	Product Environmental Profile
PVC free	Yes

Contractual warranty

Warranty	18 months
----------	-----------

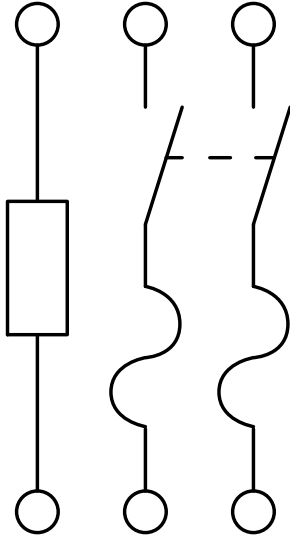
Dimensions



WHEN MOUNTING, ALLOW 4.00/[102] MIN. CLEARANCE BETWEEN ENCLOSURES FOR OPENING OF SIDE HINGED DOOR.
 TOP OF NEM A TYPE 3R DEVICES HAVE PROVISIONS FOR MAX 2.50/[64] BO LT-ON HUB.
 DU323RB REQUIRES FIELD INSTALLATION OF EQUIPMENT GROUNDING KIT GTK0610 WHEN USED AS SERVICE EQUIPMENT.
 ALL DIMENSIONS ARE APPROXIMATE. REFER TO TECHNICAL DRAWINGS AND DOCUMENTATION FOR COMPLETE DETAILS.

TI_DIM_GD1003R

Wiring Diagram



223NRB
CD223NRB