

Product data sheet

Characteristics

D211NRB

Safety switch, general duty, fusible, 30A, 2 poles, 3 hp, 120 VAC, NEMA 3R, bolt-on provision, neutral factory installed

Product availability : Stock - Normally stocked in distribution facility



Price* : 177.00 USD



Main

Product	Single Throw Safety Switch
Duty Rating	General duty
Device application	Residential
Disconnect Type	Fusible disconnect switch
Factory Installed Neutral	Neutral (factory installed)
Phase	3 phase
Number of Poles	2
Current Rating	30 A
Voltage Rating	120 V AC
Enclosure Rating NEMA	NEMA 3R
Maximum Horse Power Rating	0.5 hp 120 V at AC 60 Hz for 1 phase conforming to NEC 240.6 2 hp 120 V at AC 60 Hz for 1 phase conforming to NEC 430.52 1.5 hp 240 V at AC 60 Hz for 1 phase conforming to NEC 240.6 3 hp 240 V at AC 60 Hz for 1 phase conforming to NEC 430.52

Complementary

Short Circuit Current Rating	10 kA plug
Fuse type	Plug
Mounting Type	Surface
Electrical Connection	Lugs
Wiring configuration	3-wire
Wire Size	AWG 14...AWG 6 copper AWG 12...AWG 6 aluminium
Tightening torque	30 lbf.in (3.39 N.m) 0.00...0.02 in ² (2.08...13.3 mm ²) (AWG 14...AWG 6)
Depth	3.63 in (92.20 mm)

* Price is "List Price" and may be subject to a trade discount – check with your local distributor or retailer for actual price.

Width	7.25 in (184.15 mm)
Height	9.25 in (234.95 mm)
Net Weight	22.05 lb(US) (10 kg)

Environment

Certifications	UL listed file E2875
----------------	----------------------

Ordering and shipping details

Category	00106 - D & DU SW,NEMA3R, 30-200A
Discount Schedule	DE1A
GTIN	00785901460404
Nbr. of units in pkg.	1
Package weight(Lbs)	4.80 lb(US) (2.179 kg)
Returnability	Yes
Country of origin	MX

Packing Units

Unit Type of Package 1	PCE
Package 1 Height	5.20 in (13.208 cm)
Package 1 width	7.80 in (19.812 cm)
Package 1 Length	9.80 in (24.892 cm)
Unit Type of Package 2	CAR
Number of Units in Package 2	5
Package 2 Weight	25.33 lb(US) (11.489 kg)
Package 2 Height	10.80 in (27.432 cm)
Package 2 width	10.00 in (25.4 cm)
Package 2 Length	23.80 in (60.452 cm)
Unit Type of Package 3	PAL
Number of Units in Package 3	150
Package 3 Weight	760.00 lb(US) (344.73 kg)
Package 3 Height	40.00 in (101.6 cm)
Package 3 width	40.00 in (101.6 cm)
Package 3 Length	48.00 in (121.92 cm)

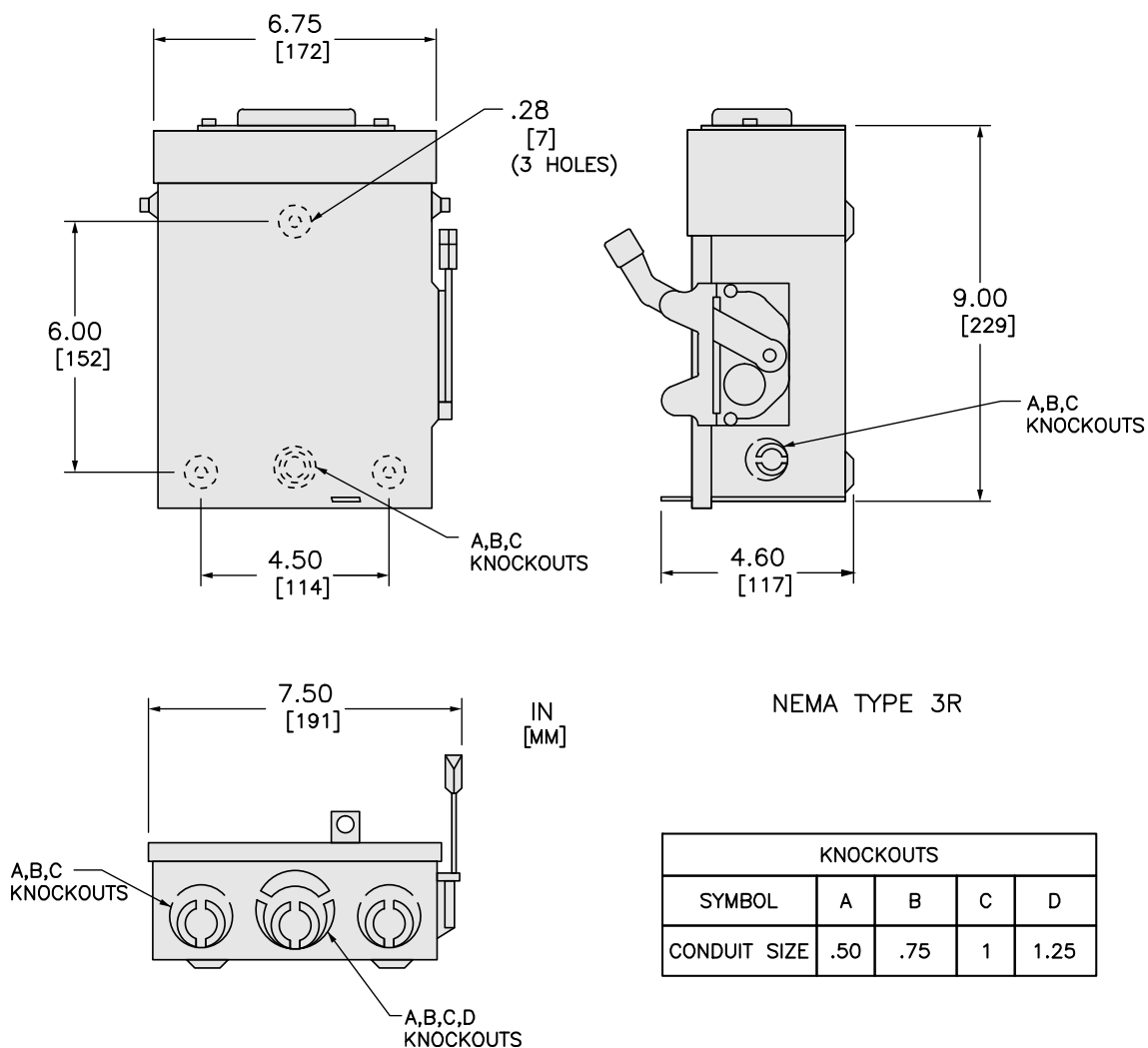
Offer Sustainability

Sustainable offer status	Green Premium product
California proposition 65	WARNING: This product can expose you to chemicals including: Lead and lead compounds, which is known to the State of California to cause cancer and birth defects or other reproductive harm. For more information go to www.P65Warnings.ca.gov
REACH Regulation	REACH Declaration
REACH free of SVHC	Yes
EU RoHS Directive	Compliant EU RoHS Declaration
Mercury free	Yes
RoHS exemption information	Yes
China RoHS Regulation	China RoHS declaration Product out of China RoHS scope. Substance declaration for your information.
Environmental Disclosure	Product Environmental Profile
PVC free	Yes

Contractual warranty

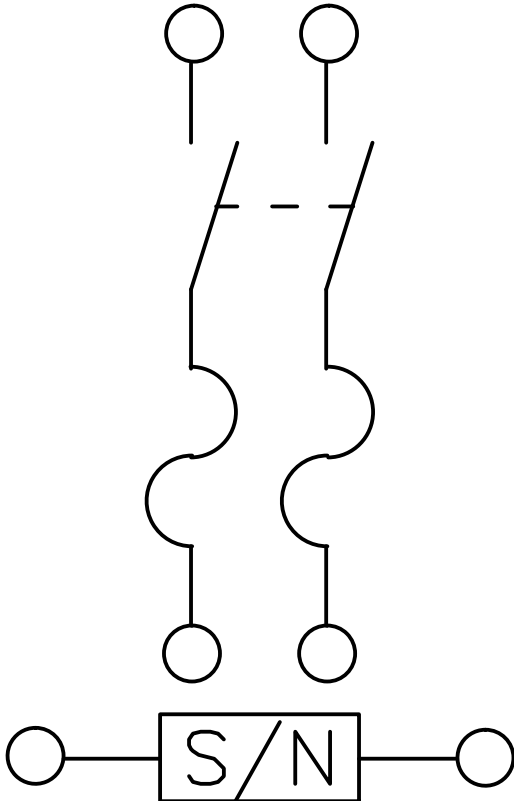
Warranty	18 months
----------	-----------

Dimensions



TOP OF NEMA TYPE 3R DEVICES HAVE PROVISIONS FOR MAX 2.50/[64] BOLT-ON HUB.
 ALL DIMENSIONS ARE APPROXIMATE. REFER TO TECHNICAL DRAWINGS AND DOCUMENTATION FOR COMPLETE DETAILS.

Wiring Diagram



D211NRB
D221NRB