

# Product data sheet

## Characteristics

# CU816D400CN

Meter mains, QO, combination service entrance, ringed socket, 400A, surface mount, maximum 8 spaces, 16 circuits, class 320, no bypass



Price\* : 3,975.00 USD



### Main

Product or component type	Meter Mains
Range of product	QO

### Complementary

Line Rated Current	400 A
Short-circuit current	25 kA
Network number of phases	1
Meter socket type	Ringed
Mounting	Surface Semi flush field installed flange kit
Number of spaces	8
Number of circuits	16
Number of Tandem Breakers	8
Hub type	A-L
Electrical connection	Studs line side Feed-thru lugs service ground
Wire Size	AWG 4...250 kcmil aluminium)service ground AWG 4...250 kcmil copper)service ground
Disconnect	Service disconnect (ordered separately)
Main Breaker Rating	200 A
Branch Breaker Rating	200 A
Service feed location	UG
Bypass type	Class 320 No bypass
Height	43.00 in (1092.20 mm)

\* Price is "List Price" and may be subject to a trade discount – check with your local distributor or retailer for actual price.

Width	28.25 in (717.55 mm)
Depth	7.87 in (199.90 mm)

## Environment

Product certifications	UL E-6294
------------------------	-----------

## Ordering and shipping details

Category	00022-QO METER MAINS
Discount Schedule	DE3A
GTIN	00785901545293
Package weight(Lbs)	111.00 lb(US) (50.349 kg)
Returnability	Yes
Country of origin	MX

## Packing Units

Package 1 Height	0.77 ft (0.236 m)
Package 1 width	2.45 ft (0.747 m)
Package 1 Length	3.52 ft (1.072 m)

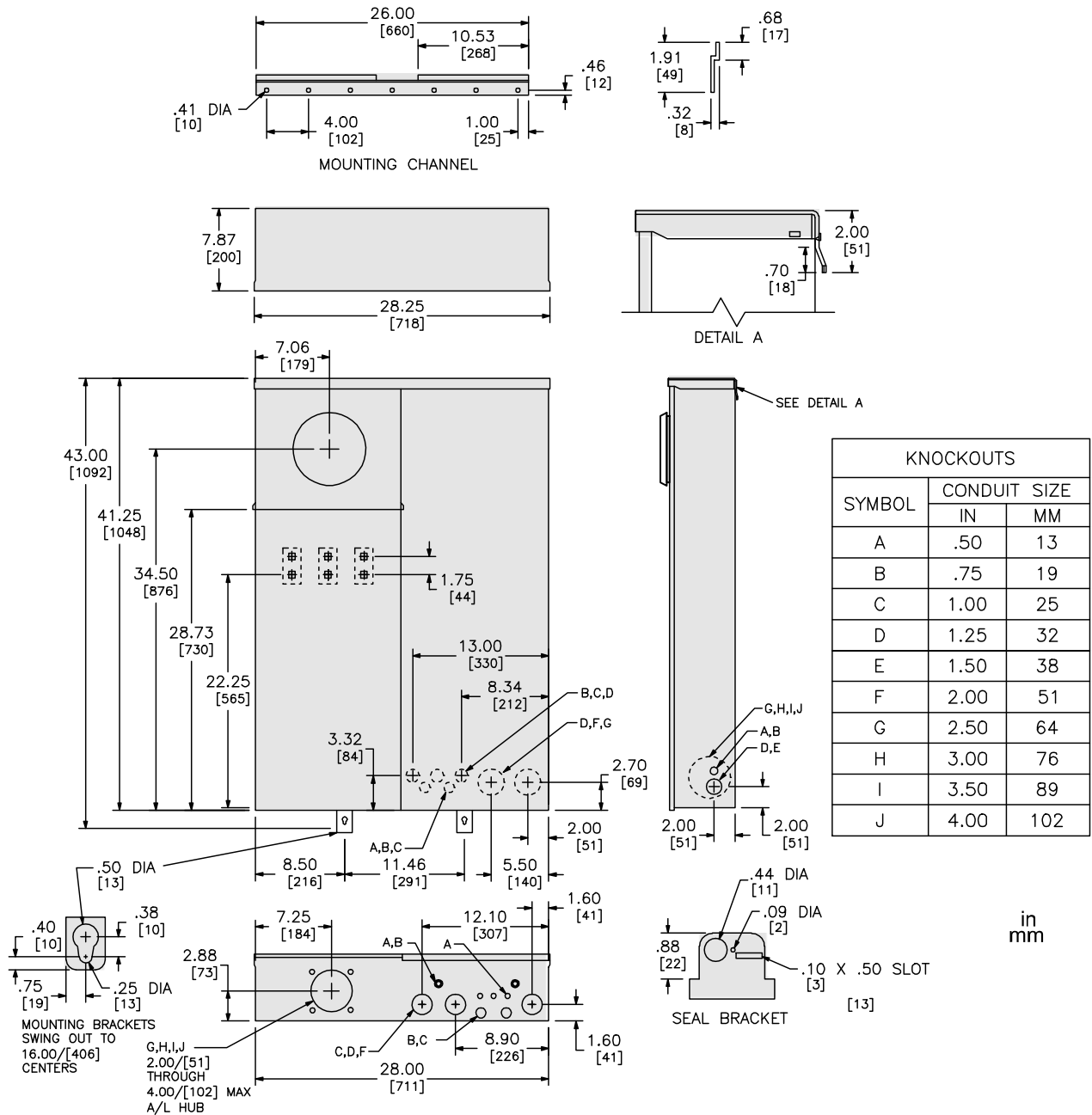
## Offer Sustainability

California proposition 65	WARNING: This product can expose you to chemicals including: Lead and lead compounds, which is known to the State of California to cause cancer and birth defects or other reproductive harm. For more information go to <a href="http://www.P65Warnings.ca.gov">www.P65Warnings.ca.gov</a>
REACH Regulation	<a href="#">REACH Declaration</a>
REACH free of SVHC	Yes
EU RoHS Directive	Compliant <a href="#">EU RoHS Declaration</a>
Mercury free	Yes
RoHS exemption information	<a href="#">Yes</a>
China RoHS Regulation	<a href="#">China RoHS declaration</a> Product out of China RoHS scope. Substance declaration for your information.

## Contractual warranty

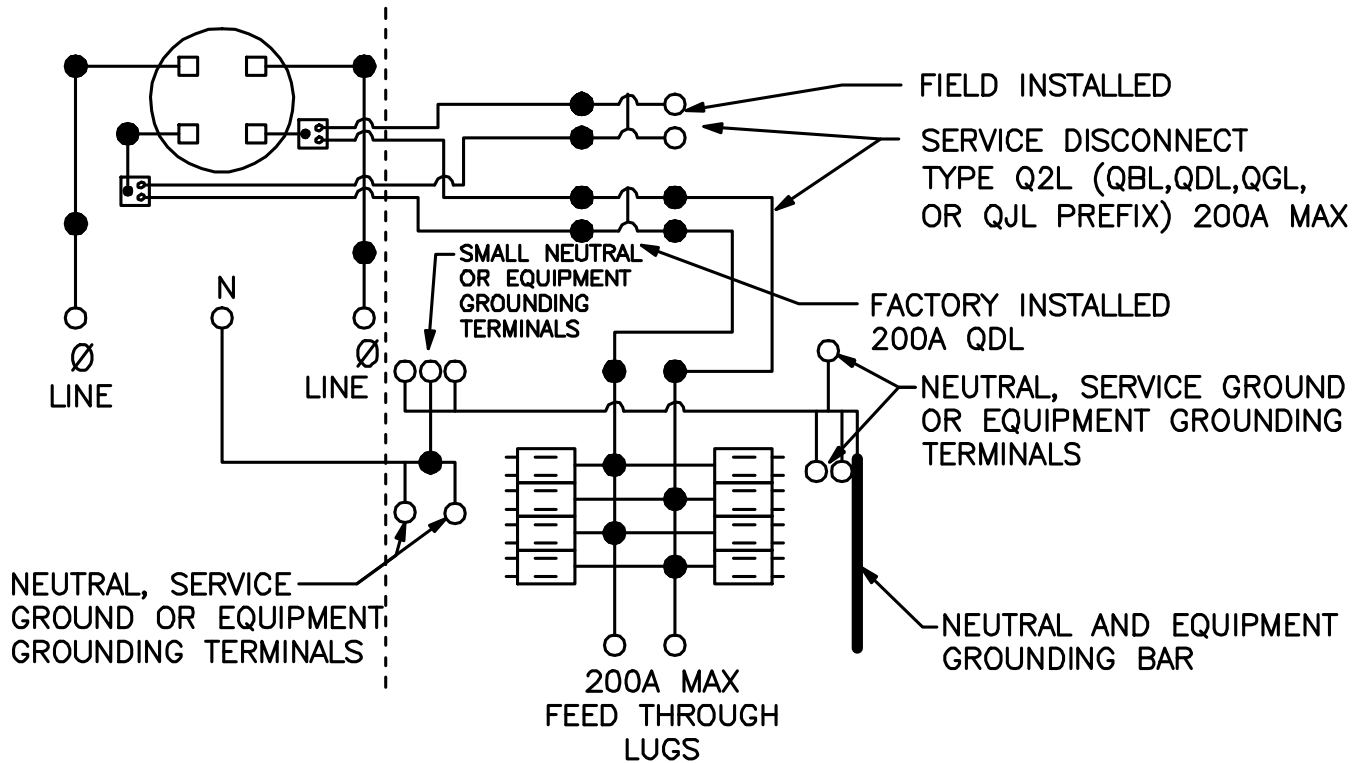
Warranty	18 months
----------	-----------

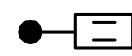
Dimensions



All dimensions are approximate. Also refer to technical documentation.

Wiring Diagram



 TWO SINGLE POLE, ONE PLUG-ON SPACE TYPE QOT OR ONE SINGLE POLE TYPE QO. TWO POLE TYPE QO, QOA OR QOC (125A MAX.) MAY PLUG-ON TWO ADJACENT SPACES. TWO POLE TYPE QOC (150-200A MAX.) MAY PLUG-ON FOUR ADJACENT SPACES (RIGHT SIDE ONLY).