

Product data sheet

Characteristics

CU816D400CB

Meter mains, QO, combination service entrance, ringed socket, 400A, surface mount, maximum 8 spaces, 16 circuits, class 320, test block bypass



Price* : 4,151.00 USD



Main

Product or component type	Meter Mains
Range of product	QO

Complementary

Line Rated Current	400 A
Short-circuit current	25 kA
Network number of phases	1
Meter socket type	Ringed
Mounting	Surface Semi flush field installed flange kit
Number of spaces	8
Number of circuits	16
Number of Tandem Breakers	8
Hub type	A-L
Electrical connection	Studs line side Feed-thru lugs service ground
Wire Size	AWG 4...250 kcmil aluminium)service ground AWG 4...250 kcmil copper)service ground
Disconnect	Service disconnect (factory installed)
Main Breaker Rating	200 A
Branch Breaker Rating	200 A
Service feed location	UG
Bypass type	Test block bypass Class 320
Height	43.00 in (1092.20 mm)

* Price is "List Price" and may be subject to a trade discount – check with your local distributor or retailer for actual price.

Width	28.25 in (717.55 mm)
Depth	7.87 in (199.90 mm)

Environment

Product certifications	UL E-6294
------------------------	-----------

Ordering and shipping details

Category	00022-QO METER MAINS
Discount Schedule	DE3A
GTIN	00785901583608
Package weight(Lbs)	17.92 oz (508.023 g)
Returnability	Yes
Country of origin	MX

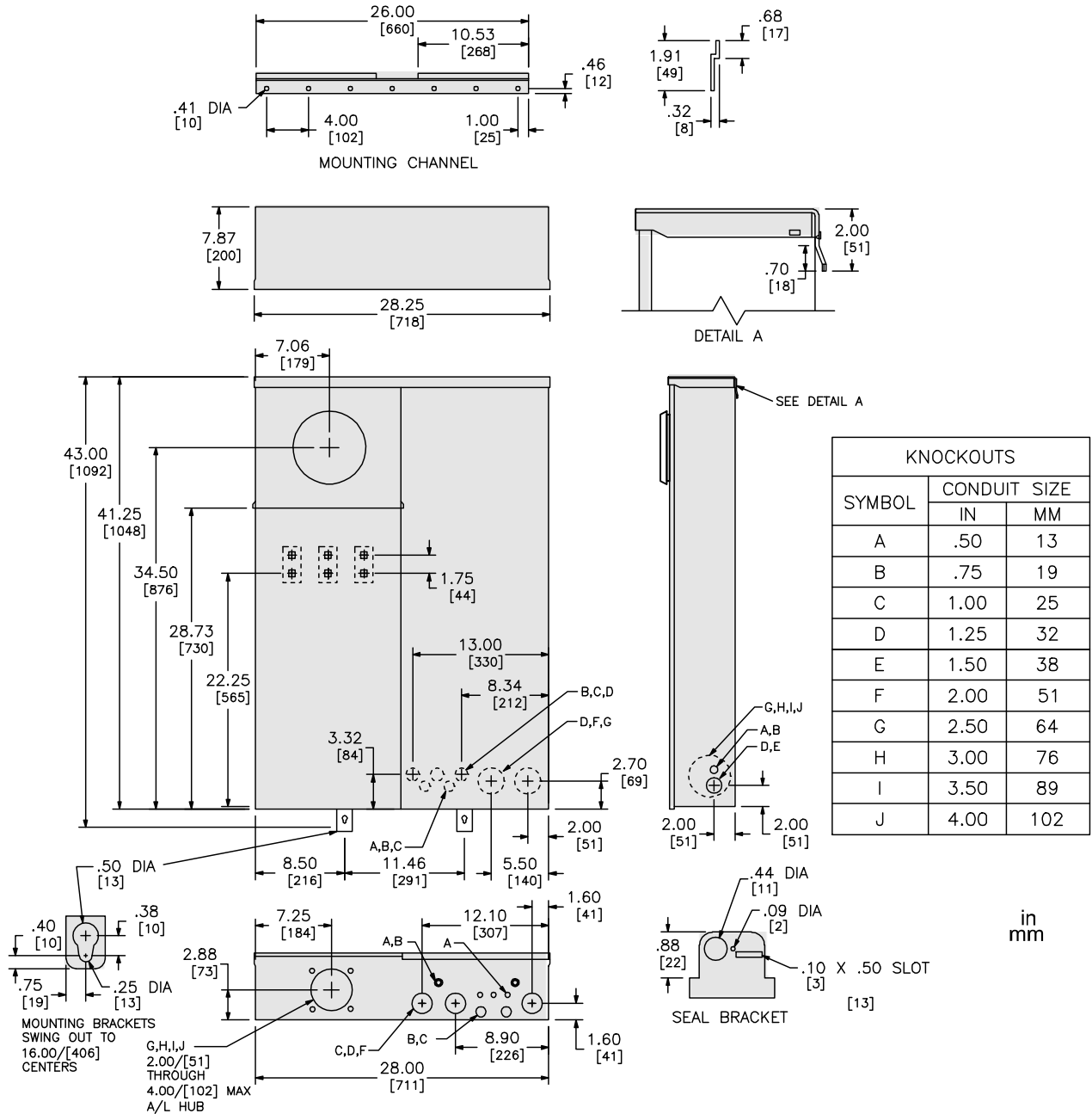
Offer Sustainability

California proposition 65	WARNING: This product can expose you to chemicals including: Lead and lead compounds, which is known to the State of California to cause cancer and birth defects or other reproductive harm. For more information go to www.P65Warnings.ca.gov
REACH Regulation	REACH Declaration
REACH free of SVHC	Yes
EU RoHS Directive	Compliant EU RoHS Declaration
Mercury free	Yes
RoHS exemption information	Yes
China RoHS Regulation	China RoHS declaration Product out of China RoHS scope. Substance declaration for your information.

Contractual warranty

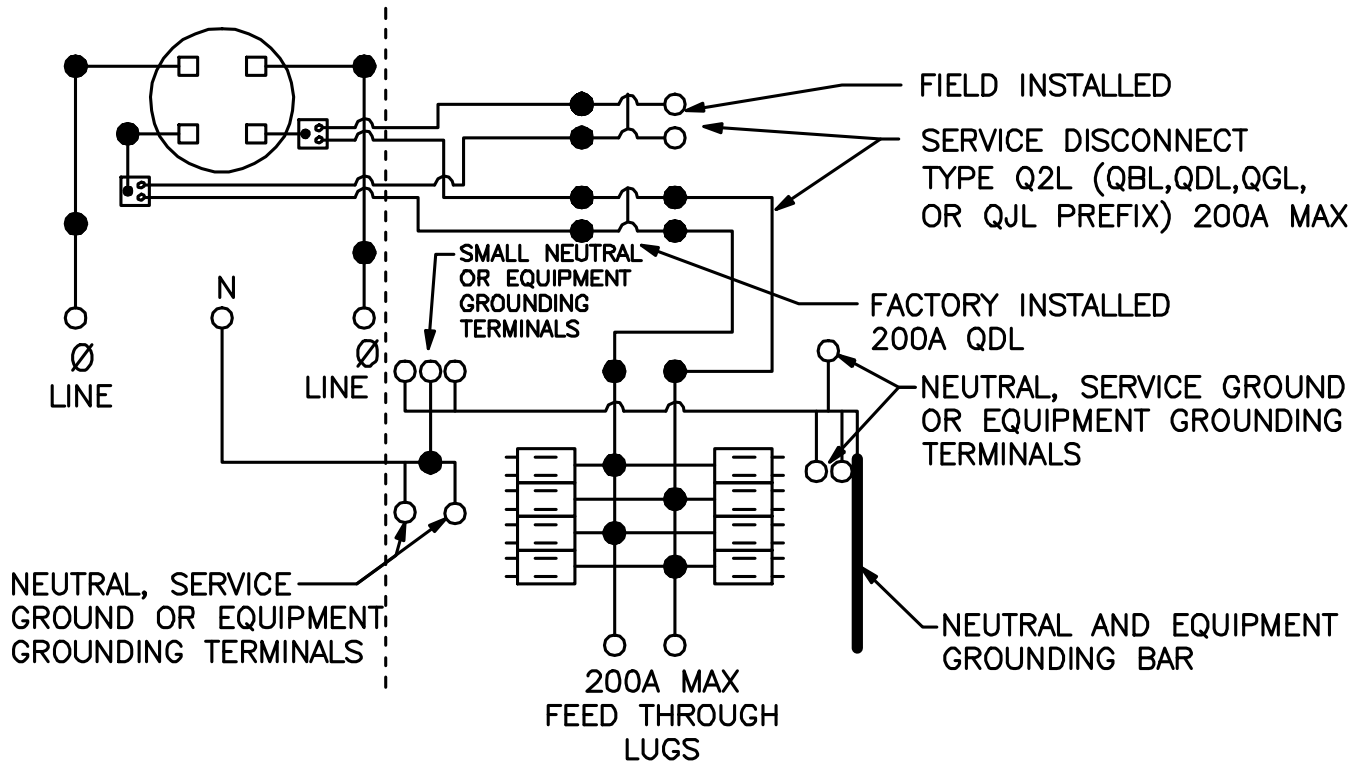
Warranty	18 months
----------	-----------

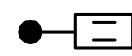
Dimensions



All dimensions are approximate. Also refer to technical documentation.

Wiring Diagram



 TWO SINGLE POLE, ONE PLUG-ON SPACE TYPE QOT OR ONE SINGLE POLE TYPE QO. TWO POLE TYPE QO, QOA OR QOC(125A MAX.) MAY PLUG-ON TWO ADJACENT SPACES. TWO POLE TYPE QOC (150-200A MAX.) MAY PLUG-ON FOUR ADJACENT SPACES (RIGHT SIDE ONLY).