

Product data sheet

Characteristics

CQRA200

Meter mains, QO, combination service entrance, ringed socket, 200A, surface mount, no bypass, main breaker installed

Product availability : Stock - Normally stocked in distribution facility



Price* : 1,251.00 USD



Complementary

Network number of phases	1
Depth	4.37 in (111.00 mm)
Width	19.58 in (497.33 mm)
Height	18.23 in (463.04 mm)

Environment

Product certifications	UL E-6294
------------------------	-----------

Ordering and shipping details

Category	00022 - QO METER MAINS
Discount Schedule	DE3A
GTIN	00047569291807
Nbr. of units in pkg.	1
Package weight(Lbs)	29.35 lb(US) (13.31 kg)
Returnability	Yes
Country of origin	MX

Packing Units

Package 1 Height	5.50 in (13.970 cm)
Package 1 width	20.30 in (51.562 cm)
Package 1 Length	20.80 in (52.832 cm)

* Price is "List Price" and may be subject to a trade discount – check with your local distributor or retailer for actual price.

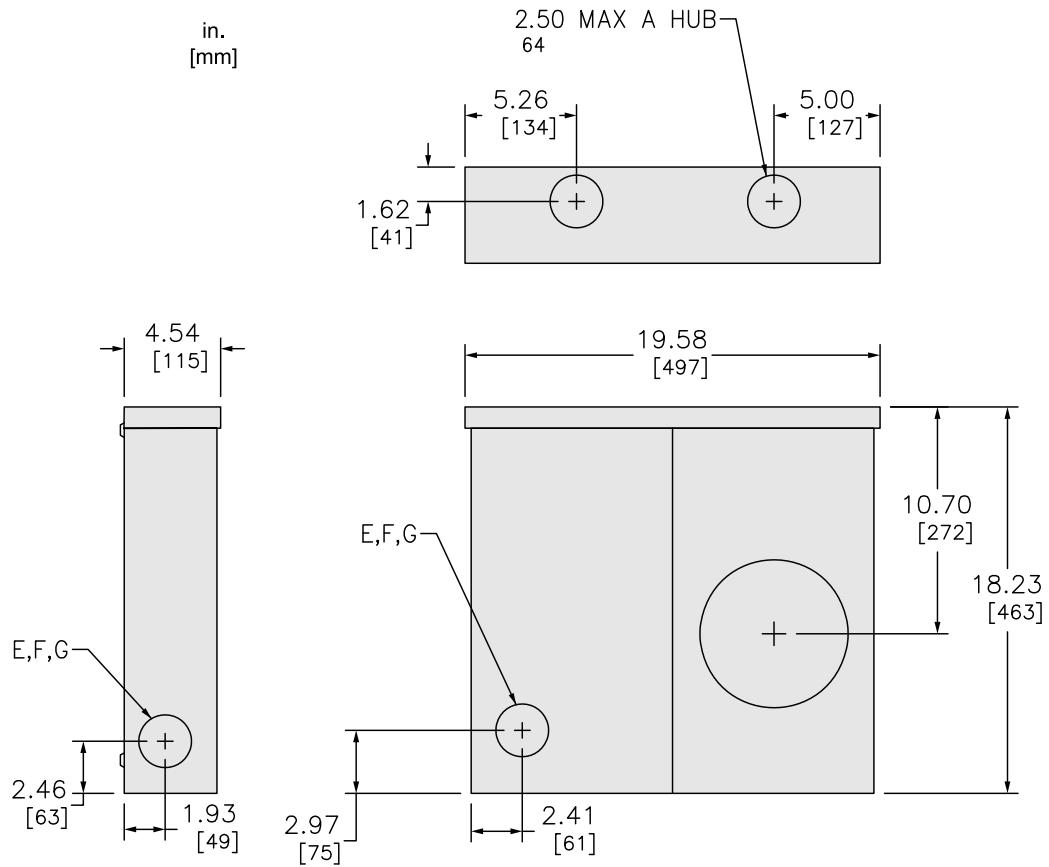
Offer Sustainability

California proposition 65	WARNING: This product can expose you to chemicals including: Lead and lead compounds, which is known to the State of California to cause cancer and birth defects or other reproductive harm. For more information go to www.P65Warnings.ca.gov
REACH Regulation	REACH Declaration
REACH free of SVHC	Yes
EU RoHS Directive	Compliant EU RoHS Declaration
Mercury free	Yes
RoHS exemption information	Yes
China RoHS Regulation	China RoHS declaration Product out of China RoHS scope. Substance declaration for your information.

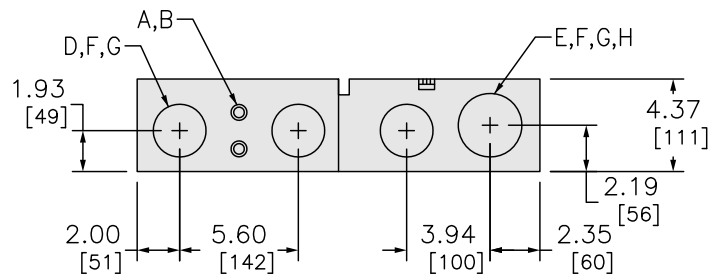
Contractual warranty

Warranty	18 months
----------	-----------

Dimensions

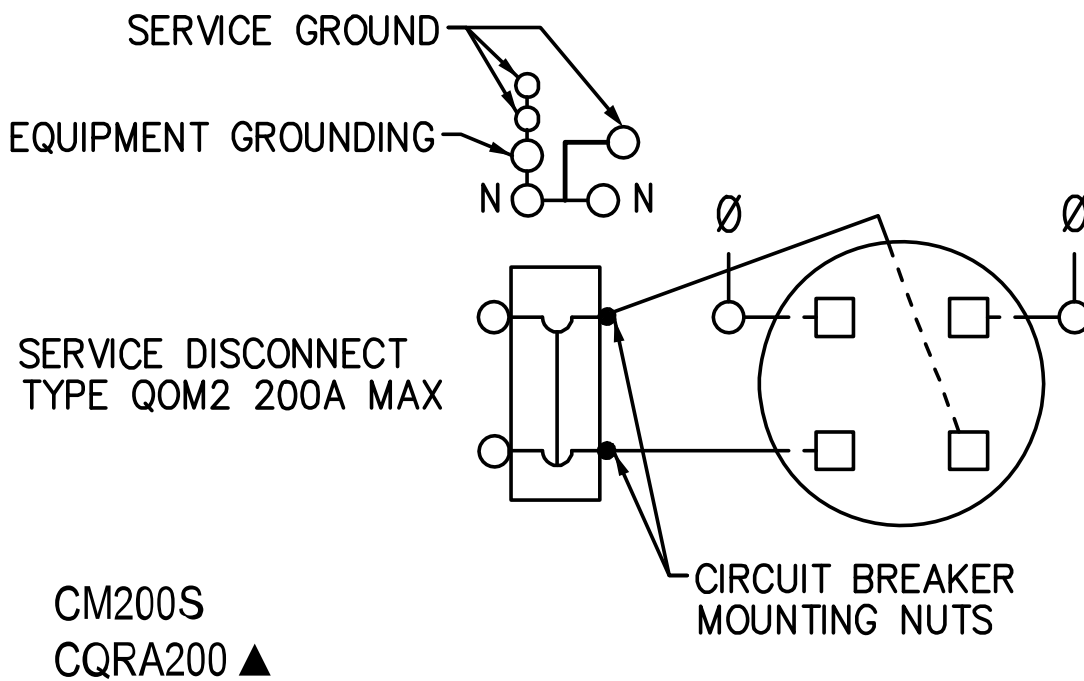


KNOCKOUTS		
SYMBOL	CONDUIT SIZE	
	IN	MM
A	.50	13
B	.75	19
C	1.00	25
D	1.25	32
E	1.50	38
F	2.00	51
G	2.50	64
H	3.00	76



All dimensions are approximate. Also see technical documentation.

Wiring Diagram



CM200S
CQRA200 ▲

▲ 200A Breaker (QOM2200VH) IS FACTORY INSTALLED IN CQRA200