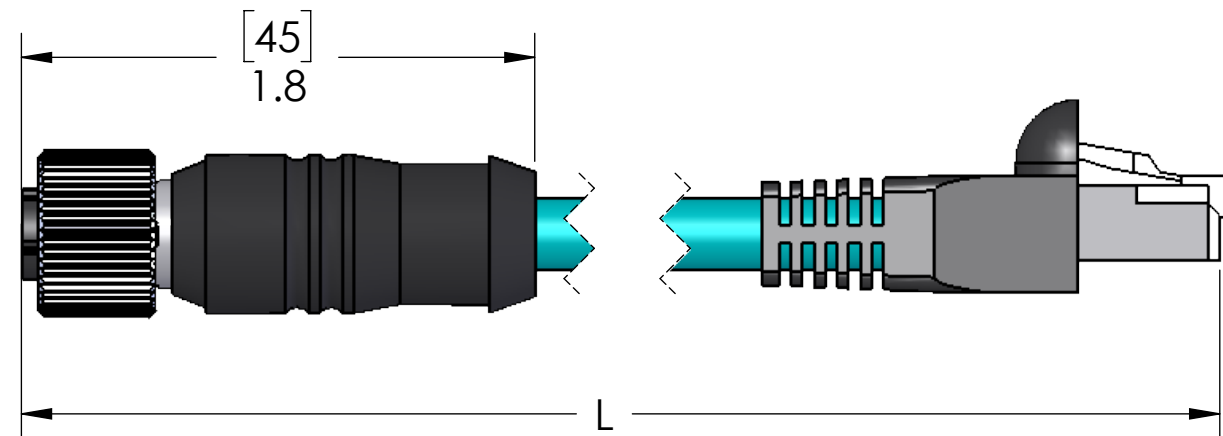
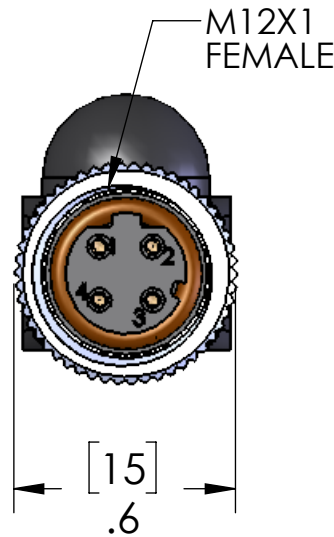


MDE45		RJ45
PIN #	COLOR	PIN #
1	WHITE w/ORANGE	1
2	WHITE w/GREEN	3
3	ORANGE	2
4	GREEN	6
CPLG	BRAID	SHLD



12345678

P/N	L
MDE45PB-4FSP-RJ45S-0.3M	12" [0.3M]
MDE45PB-4FSP-RJ45S-0.5M	20" [0.5M]
MDE45PB-4FSP-RJ45S-1M	40" [1M]
MDE45PB-4FSP-RJ45S-1.5M	59" [1.5M]
MDE45PB-4FSP-RJ45S-2M	79" [2M]
MDE45PB-4FSP-RJ45S-3M	118" [3M]
MDE45PB-4FSP-RJ45S-4M	157" [4M]
MDE45PB-4FSP-RJ45S-5M	197" [5M]
MDE45PB-4FSP-RJ45S-6M	236" [6M]
MDE45PB-4FSP-RJ45S-8M	315" [8M]
MDE45PB-4FSP-RJ45S-10M	393" [10M]
MDE45PB-4FSP-RJ45S-12M	472" [12M]
MDE45PB-4FSP-RJ45S-15M	590" [15M]
MDE45PB-4FSP-RJ45S-18M	709" [18M]
MDE45PB-4FSP-RJ45S-20M	786" [20M]
MDE45PB-4FSP-RJ45S-25M	983" [25M]

MATERIALS:	
BODY:	BLACK PUR
COUPLING:	NICKEL PLATED BRASS
INSERT:	POLYAMIDE
CONTACTS:	GOLD PLATED COPPER ALLOY
O-RING:	FPM
CABLE:	26/4 CAT 5 PUR WITH BRAIDED SHIELD, TEAL PUR

APPROVALS:	
US:	UL LISTED
CANADA:	C-UL LISTED

PROPRIETARY AND CONFIDENTIAL
 THE INFORMATION CONTAINED IN THIS DRAWING IS THE SOLE PROPERTY OF MENCOM CORPORATION. ANY REPRODUCTION IN PART OR AS A WHOLE WITHOUT THE WRITTEN PERMISSION OF MENCOM CORPORATION IS PROHIBITED.

VOLTS	42VDC
AMPS	1.5A
TEMP:	80°C

UNLESS OTHERWISE SPECIFIED:	DRAWN BY	JJH
DIMENSIONS ARE IN INCHES AND [MM]	DRAWN DATE	12/06/2018
	CHECKED BY	JJH
	CHECK DATE	12/06/2018
	COMMENTS:	
MATERIAL		
FINISH		
DO NOT SCALE DRAWING		

MENCOM CORPORATION		
TITLE: 4 PL D-CODED PUR MAL CBL TO RJ45		
SIZE	DWG. NO.	REV
B	MDE45PB-4FSP-RJ45S-ZZ	C
SCALE: 1:1	WEIGHT:	SHEET 1 OF 1