

# Product data sheet

## Characteristics

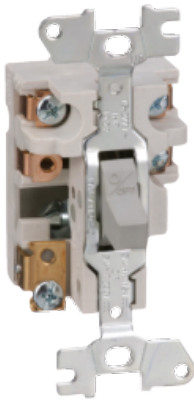
# 2510FO2

Manual Starter, fractional horsepower, 16A, 2 poles, 1 HP at 277 VAC, toggle operated, no indicator, open style

Product availability : Stock - Normally stocked in distribution facility



Price\* : 90.37 USD



### Main

Product	Single Unit Manual Starter
Type	F
Overload Relay Type	Melting alloy

### Complementary

Current Rating	16 A
Cable entry	Without
Horsepower Rating	1 hp 115 V AC 1 hp 277 V AC 0.75 hp 115 V DC 0.75 hp 230 V DC 2 hp 230 V AC
Voltage Rating	277 V AC 230 V DC
Number of Poles	2P
Control Unit	Toggle switch
Number of Phases	1 phase
Pilot Light	No indicator
Reset	Manual
Motor starter type	Non reversing
Electrical connection	Screw clamp terminals
Wire Gauge	AWG 14...AWG 12 copper
Height	4.13 in (104.90 mm)
Width	1.69 in (42.93 mm)
Depth	2.22 in (56.39 mm)

\* Price is "List Price" and may be subject to a trade discount – check with your local distributor or retailer for actual price.

Net Weight	0.33 lb(US) (0.15 kg)
------------	-----------------------

## Environment

Product certifications	UL recognized E42243 CCN NLRV2 CSA LR25490 class 3211 05
NEMA Enclosure Rating	Not rated (open device)

## Ordering and shipping details

Category	21101 - 2510,2511,2512 F
Discount Schedule	CP1
GTIN	00785901554158
Nbr. of units in pkg.	1
Package weight(Lbs)	5.44 oz (154.2 g)
Returnability	Yes
Country of origin	MX

## Packing Units

Unit Type of Package 1	PCE
Package 1 Height	2.01 in (5.1 cm)
Package 1 width	2.91 in (7.4 cm)
Package 1 Length	4.69 in (11.9 cm)

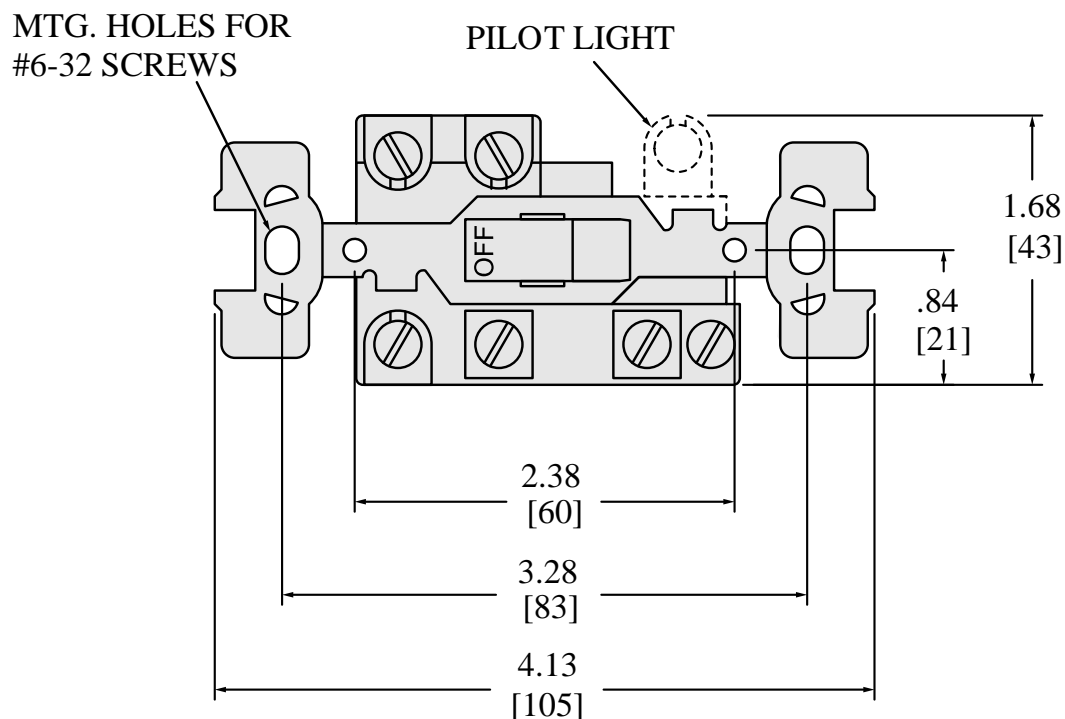
## Offer Sustainability

California proposition 65	WARNING: This product can expose you to chemicals including: Lead and lead compounds, which is known to the State of California to cause cancer and birth defects or other reproductive harm. For more information go to <a href="http://www.P65Warnings.ca.gov">www.P65Warnings.ca.gov</a>
RECh Regulation	<a href="#">RECh Declaration</a>
RECh free of SVHC	Yes
EU RoHS Directive	Not compliant
China RoHS Regulation	<a href="#">China RoHS declaration</a> Product out of China RoHS scope. Substance declaration for your information.
PVC free	Yes

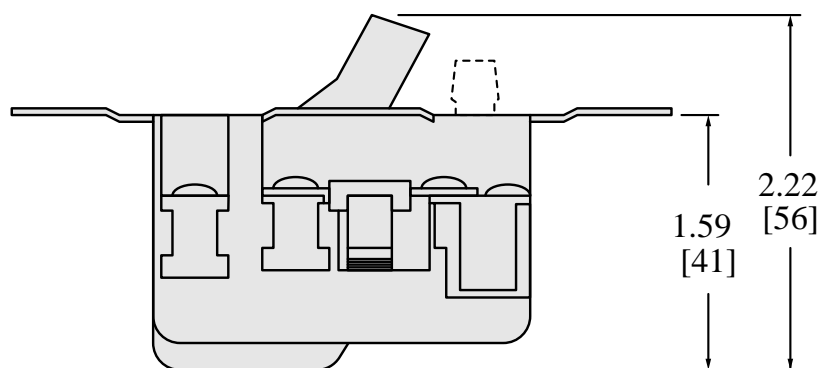
## Contractual warranty

Warranty	18 months
----------	-----------

Dimensions



in.  
[mm]



All dimensions are approximate.  
Also see technical drawings and/or documentation.

TL\_DIM\_2510FO