

REVISIONS			
REV.	DESCRIPTION	DATE	APPROVED
A	DRAWN IN SW	3/3/2015	BEM

Recommended MAX Panel Thickness: .12" [3.0]  
 Recommended PCB thickness: 0.63" [1.6]

D

D

C

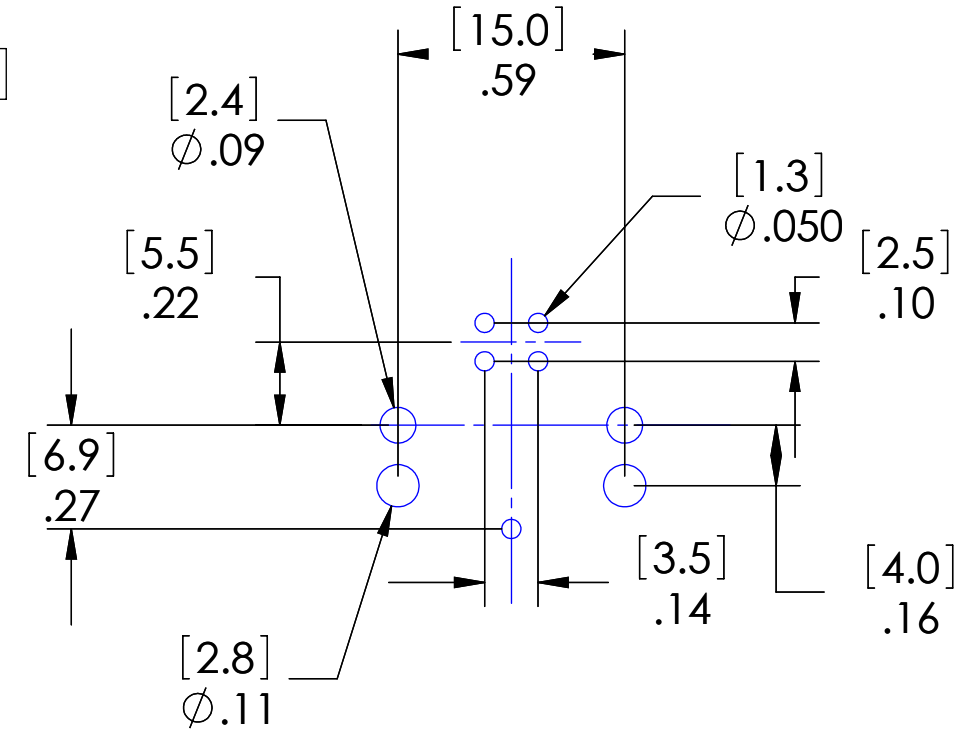
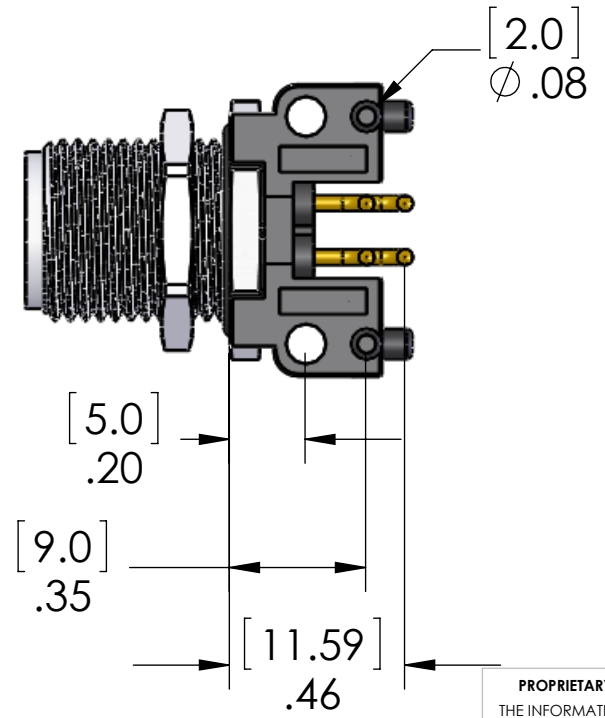
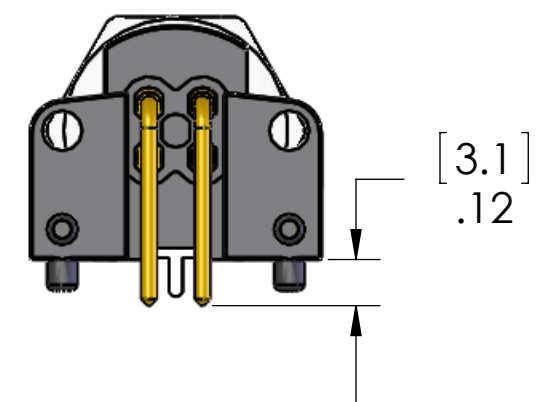
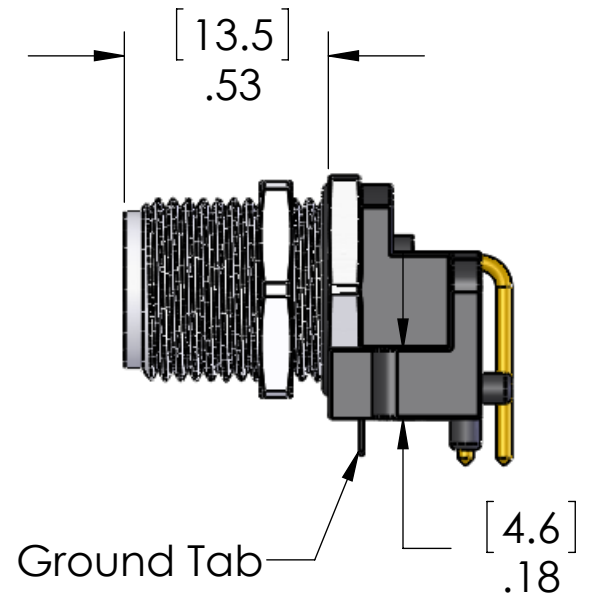
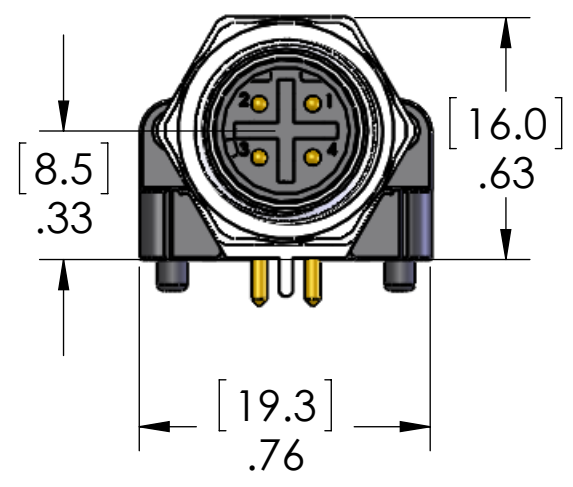
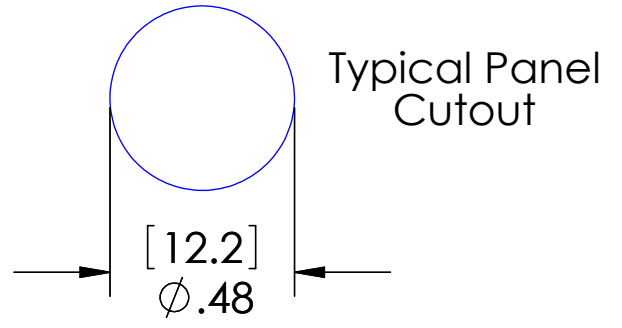
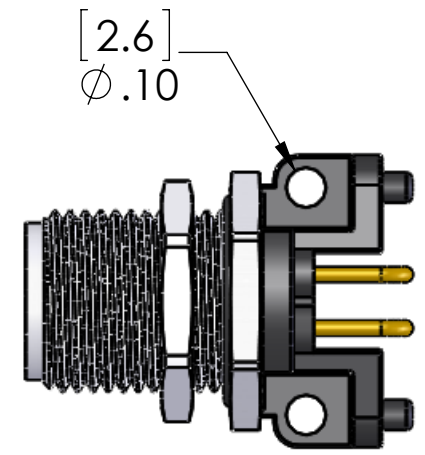
C

B

B

A

A



MATERIALS:	
BODY:	POLYAMIDE
METAL HDWR:	NICKEL PLATED BRASS
CONTACTS:	GOLD PLATED COPPER ALLOY
O-RING:	BUNA-N
GROUND TAB:	NICKEL PLATED BRASS
RATINGS:	
VOLTAGE:	250V
AMPERAGE:	4A
APPROVALS:	
US:	UL LISTED
CANADA:	C-UL LISTED

**PROPRIETARY AND CONFIDENTIAL**  
 THE INFORMATION CONTAINED IN THIS DRAWING IS THE SOLE PROPERTY OF MENCORPORATION. ANY REPRODUCTION IN PART OR AS A WHOLE WITHOUT THE WRITTEN PERMISSION OF MENCORPORATION IS PROHIBITED.

UNLESS OTHERWISE SPECIFIED:	NAME
DIMENSIONS ARE IN INCHES AND [MM]	DRAWN: JJH
	CHECKED:
	ENG APPR.:
	MFG APPR.:
INTERPRET GEOMETRIC TOLERANCING PER:	Q.A.:
MATERIAL:	COMMENTS:
FINISH:	
APPLICATION:	DO NOT SCALE DRAWING

MENCORPORATION		
TITLE: R/A MALE MDC PCB RECP w/SHLD		
SIZE	DWG. NO.	REV
<b>B</b>	MDE45M-4MR-PCB-R	<b>A</b>
SCALE: 2:1	WEIGHT:	SHEET 1 OF 1