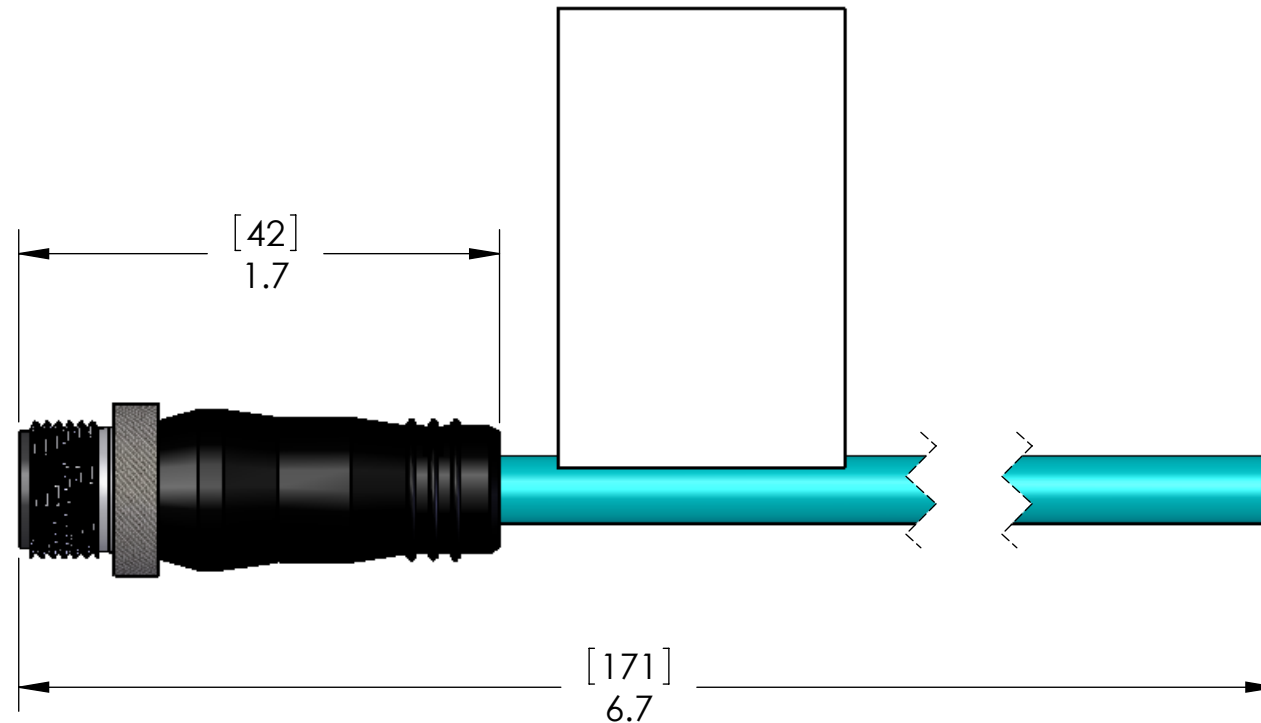


PIN #	COLOR
1	WHITE / BLUE
2	WHITE / BROWN
3	BROWN
4	ORANGE
5	WHITE / GREEN
6	WHITE / ORANGE
7	BLUE
8	GREEN

REVISIONS			
REV.	DESCRIPTION	DATE	APPROVED
A	REDRAWN IN SW	4/7/2005	

TABLE A		
P/N	L	STD?
MDE45-8MP-0.5M	19"	NO
MDE45-8MP-1M	40"	YES
MDE45-8MP-1.5M	59"	NO
MDE45-8MP-2M	79"	YES
MDE45-8MP-3M	118"	NO
MDE45-8MP-4M	157"	YES
MDE45-8MP-5M	197"	YES
MDE45-8MP-6M	236"	YES
MDE45-8MP-8M	315"	NO
MDE45-8MP-10M	393"	YES
MDE45-8MP-15M	590"	NO
MDE45-8MP-20M	786"	NO
MDE45-8MP-25M	983"	NO
MDE45-8MP-30M	1179"	NO

CABLE LISTED AS NOT BEING STANDARD  
MAY REQUIRE MINIMUM ORDER QUANTITIES



MATERIALS	
BODY:	BLACK PVC
CONTACTS:	GOLD PLATED COPPER ALLOY
CABLE:	24/8 CAT 5E PVC CABLE, TEAL
COUPLINGS:	NICKEL PLATED BRASS
INSERT:	POLYAMIDE
SEAL RATING:	IP67 WHEN FULLY MATED

**PROPRIETARY AND CONFIDENTIAL**  
THE INFORMATION CONTAINED IN THIS DRAWING IS THE SOLE PROPERTY OF MENCOM CORPORATION. ANY REPRODUCTION IN PART OR AS A WHOLE WITHOUT THE WRITTEN PERMISSION OF MENCOM CORPORATION IS PROHIBITED.

UNLESS OTHERWISE SPECIFIED:

DIMENSIONS ARE IN INCHES AND [MM]

MATERIAL

FINISH

DO NOT SCALE DRAWING

NAME

BEM

DRAWN

CHECKED

ENG APPR.

MFG APPR.

Q.A.

COMMENTS:

MENCOM CORPORATION

TITLE:

SIZE

**B**

SCALE: 3:2

DWG. NO.

MDE45-8MP-ZZ

WEIGHT:

REV

**A**

SHEET 1 OF 1

SPECIFICATIONS