

# Ethernet (M12) Series Etherplug Receptacles

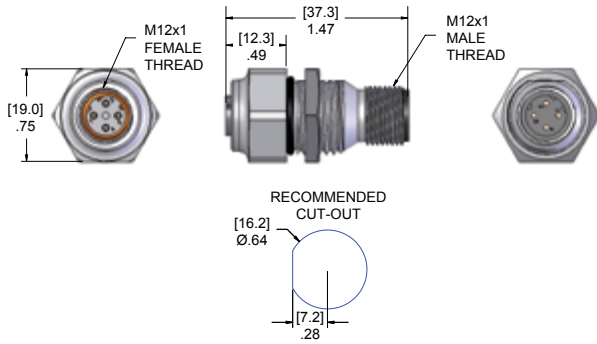
## 4 & 8 Conductor Ethernet Series Receptacles



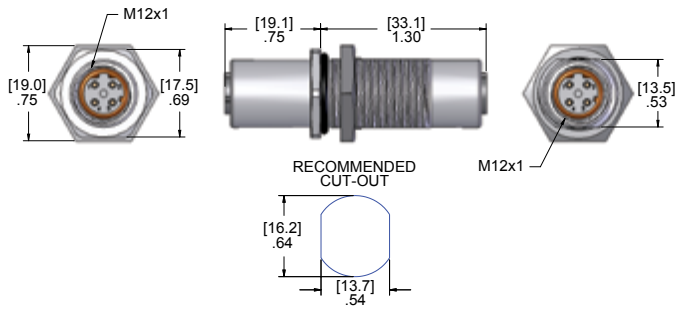
Through Panel Mount Receptacles | IP67 Rating

# of Poles	Rating	Wiring		Part Number	
				Male to Female	Female to Female
4 D-Coded	300V 4A	1 to 1 2 to 2 3 to 3 4 to 4		MDE45-4MFR-TM	MDE45-4FFR-TM
8 A-Coded	60V 2A	1 to 1 2 to 2 3 to 3 4 to 4		MDC-8MFR-TM	MDC-8FFR-TM

### Male to Female



### Female to Female



### Specifications:

Shell: Nickel Plated Brass  
 Insulator: Polyamide  
 Contacts: Copper Alloy with Gold Plating

O-Ring: NBR  
 Jam Nut: Nickel Plated Brass  
 Temperature: -40°C to 105°C (-40°F to +221°F)

Ethernet Series

L