

PIN #	COLOR
1	WHITE
2	BROWN
3	GREEN
4	YELLOW
5	GRAY
6	PINK
7	BLUE
8	RED

REVISIONS			
REV.	DESCRIPTION	DATE	APPROVED
A	CONVERT TO NEW CAD	10/29/2004	

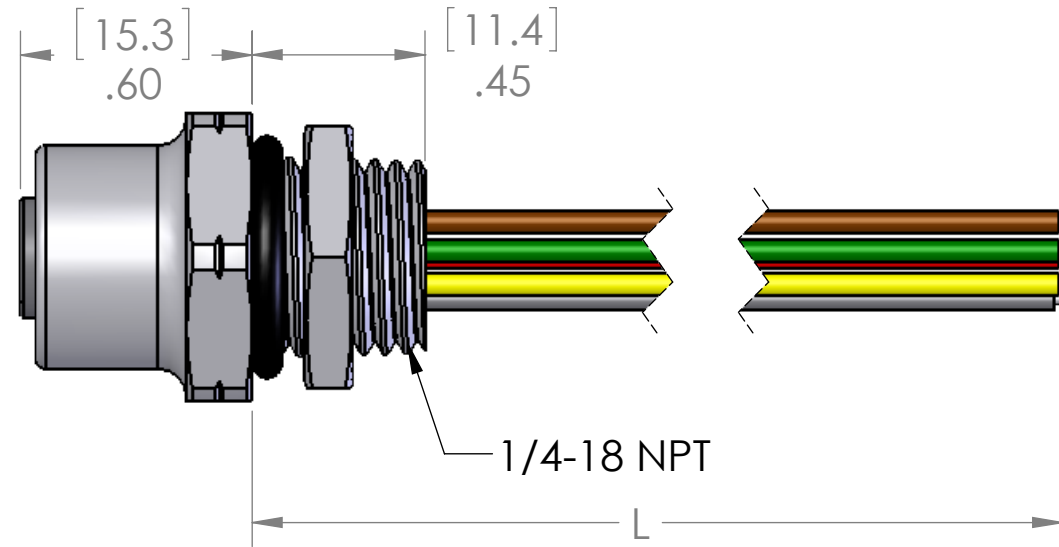
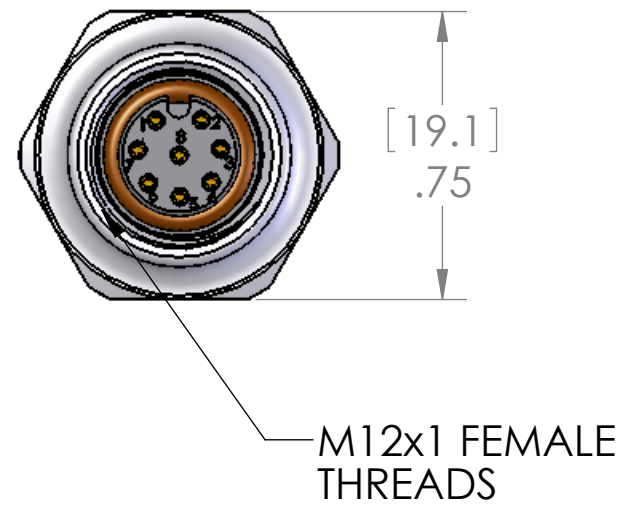


TABLE A	
P/N	L
MDC-8FR-4	12" [0.3m]
MDC-8FR-4-0.5M	19" [0.5m]
MDC-8FR-4-1M	40" [1m]
MDC-8FR-4-2M	79" [2m]
MDC-8FR-4-3M	118" [3m]
MDC-8FR-4-4M	157" [4m]
MDC-8FR-4-5M	197" [5m]
MDC-8FR-4-6M	236" [6m]
MDC-8FR-4-10M	393" [6m]

MATERIALS	
BODY:	NICKEL PLATED BRASS
CONTACTS:	GOLD PLATED COPPER ALLOY
WIRE:	24AWG UL1007/1569
INSERT:	POLYAMIDE
O-RING:	FLUOROPOLYMER ELASTOMER
NUT:	ZINC PLATED STEEL

APPROVALS:	
US	UL LISTED
CANADA	C-UL LISTED

PROPRIETARY AND CONFIDENTIAL
 THE INFORMATION CONTAINED IN THIS DRAWING IS THE SOLE PROPERTY OF MENCOM CORPORATION. ANY REPRODUCTION IN PART OR AS A WHOLE WITHOUT THE WRITTEN PERMISSION OF MENCOM CORPORATION IS PROHIBITED.

VOLTS	60V
AMPS	2A
TEMP	105°C

SPECIFICATIONS

UNLESS OTHERWISE SPECIFIED:
DIMENSIONS ARE IN INCHES
MATERIAL
FINISH
DO NOT SCALE DRAWING

NAME	BEM
DRAWN	
CHECKED	
ENG APPR.	
MFG APPR.	
Q.A.	
COMMENTS:	

MENCOM CORPORATION		
TITLE:		
8 POL FEM MDC RCP, 1/4" NPT		
SIZE	DWG. NO.	REV
B	MDC-8FR-4-ZZ	A
SCALE: 2:1	WEIGHT:	SHEET 1 OF 1