

PIN #	COLOR
1	BROWN
2	WHITE
3	BLUE
4	BLACK
5	GRAY
6	PINK
7	N/C
8	N/C

REVISIONS			
REV.	DESCRIPTION	DATE	APPROVED
A	DRAWN IN SW	5/17/2012	BEM

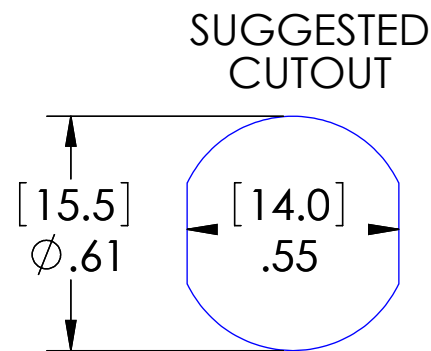
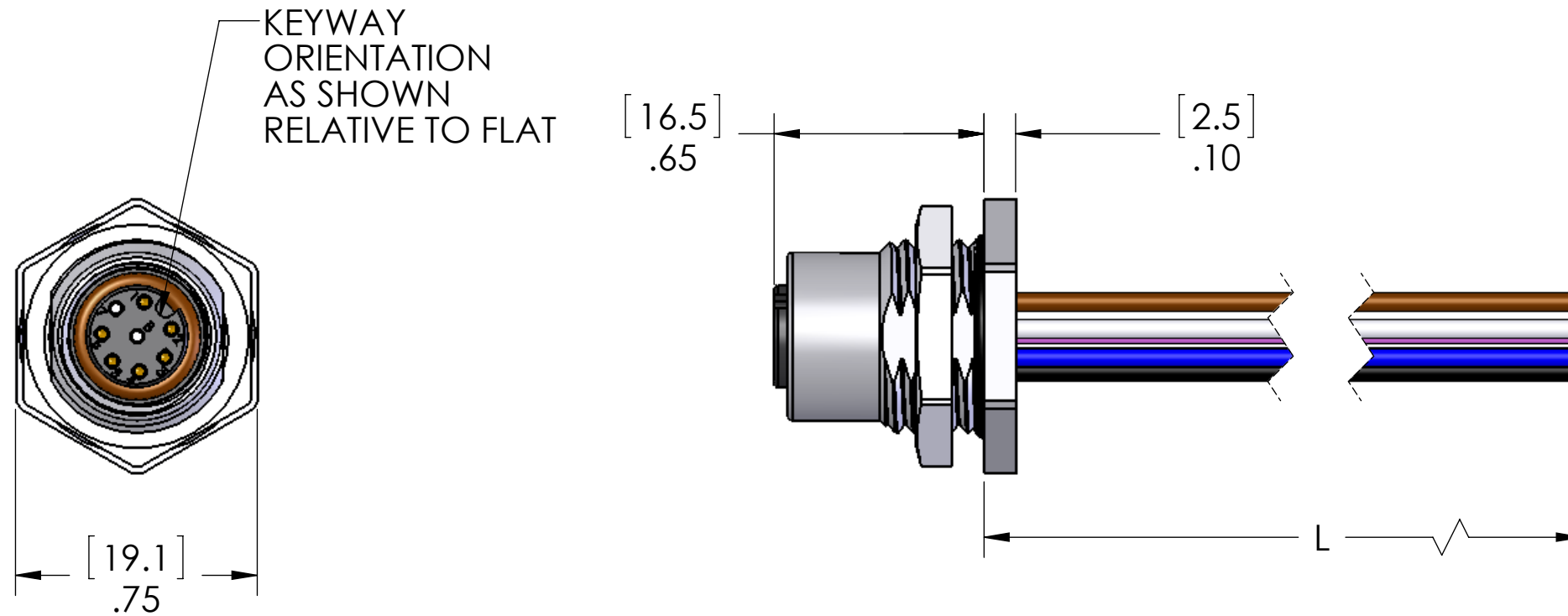


TABLE A	
P/N	L
MDC-6FR-BM	12" [.3M]
MDC-6FR-BM-0.5M	19" [.5M]
MDC-6FR-BM-1M	40" [1M]
MDC-6FR-BM-2M	79" [2M]
MDC-6FR-BM-3M	118" [3M]
MDC-6FR-BM-5M	197" [5M]
MDC-6FR-BM-10M	393" [10M]

MATERIALS	
BODY:	NICKEL PLATED BRASS
NUT:	NICKEL PLATED BRASS
INSERT:	POLYAMIDE
CONTACTS:	GOLD PLATED COPPER ALLOY
O-RINGS:	BUNA-N
WIRE:	24AWG UL 1007/1569

APPROVALS:	
US	UL LISTED
CANADA	C-UL LISTED

PROPRIETARY AND CONFIDENTIAL
 THE INFORMATION CONTAINED IN THIS DRAWING IS THE SOLE PROPERTY OF MENCOM CORPORATION. ANY REPRODUCTION IN PART OR AS A WHOLE WITHOUT THE WRITTEN PERMISSION OF MENCOM CORPORATION IS PROHIBITED.

VOLTS	60V
AMPS	2A
TEMP	105C

UNLESS OTHERWISE SPECIFIED:		NAME
DIMENSIONS ARE IN INCHES AND [MM]	DRAWN	DCT
	CHECKED	
	ENG APPR.	
	MFG APPR.	
	Q.A.	
MATERIAL		
FINISH		
DO NOT SCALE DRAWING		

MENCOM CORPORATION		
TITLE:		
SIZE	DWG. NO.	REV
B	MDC-6FR-BM-ZZ	A
SCALE: 2:1	WEIGHT:	SHEET 1 OF 1