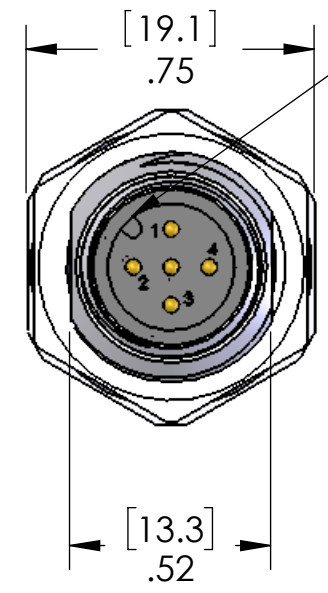
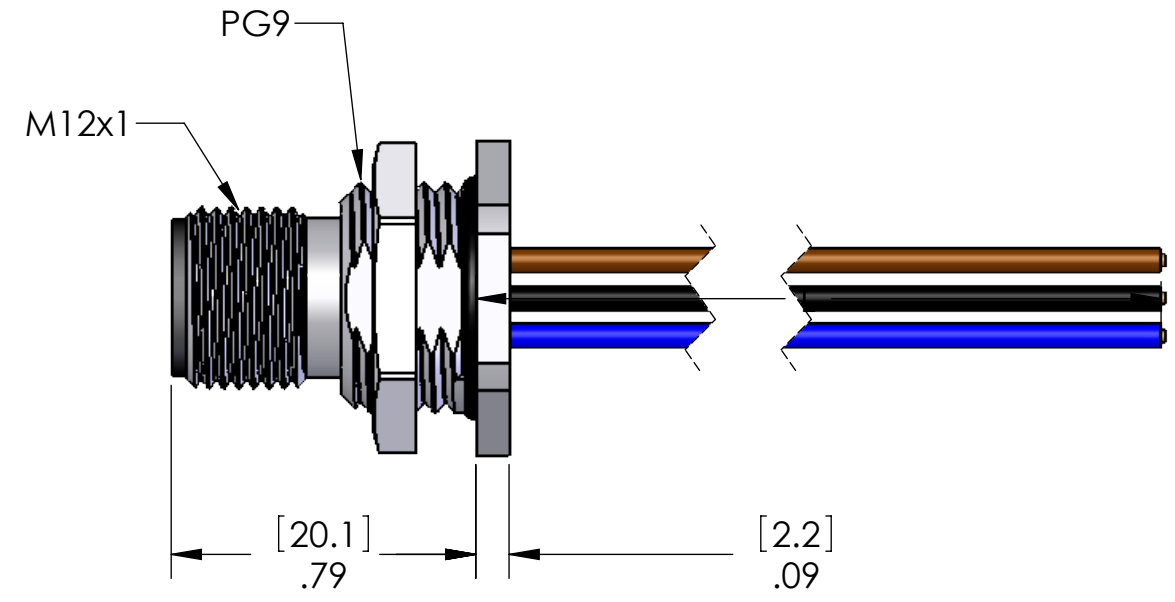


PIN #	COLOR
1	BROWN
2	WHITE
3	BLUE
4	BLACK
5	GRAY

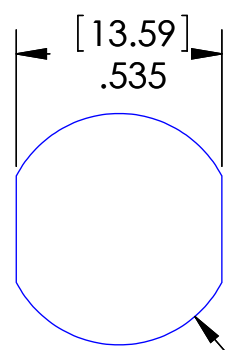
REVISIONS			
REV.	DESCRIPTION	DATE	APPROVED
A	REDRAWN IN SW	8/9/2005	
B	ORIENTATION LISTED	10/9/2009	
C	revised	3/15/2016	JJH



KEYWAY IS ORIENTED AS SHOWN RELATIVE TO FLATS ON SHELL.



MOUNTING HOLE



[15.30]
Ø.602

TABLE A	
P/N	L
MDC-5MR-BM	12" [0.3M]
MDC-5MR-BM-0.5M	19" [0.5M]
MDC-5MR-BM-1M	40" [1M]
MDC-5MR-BM-2M	79" [2M]
MDC-5MR-BM-3M	118" [3M]
MDC-5MR-BM-5M	197" [5M]
MDC-5MR-BM-10M	393" [10M]

OTHER LENGTHS AVAILABLE
PLEASE CONSULT FACTORY

MATERIALS	
BODY:	NICKEL PLATED BRASS
CONTACTS:	GOLD PLATED COPPER ALLOY
WIRES:	22AWG UL1007/1569
INSERT:	POLYAMIDE
O-RING:	BUNA-N

APPROVALS:	
US	UL LISTED
CANADA	C-UL LISTED

PROPRIETARY AND CONFIDENTIAL
THE INFORMATION CONTAINED IN THIS DRAWING IS THE SOLE PROPERTY OF MENCOM CORPORATION. ANY REPRODUCTION IN PART OR AS A WHOLE WITHOUT THE WRITTEN PERMISSION OF MENCOM CORPORATION IS PROHIBITED.

VOLTS	300V
AMPS	4A
TEMP	105°C
SPECIFICATIONS	

UNLESS OTHERWISE SPECIFIED:
DIMENSIONS ARE IN INCHES AND [MM]
MATERIAL
FINISH
DO NOT SCALE DRAWING

NAME
DRAWN: DWM
CHECKED:
ENG APPR.:
MFG APPR.:
Q.A.:
COMMENTS:

MENCOM CORPORATION		
TITLE:		
SIZE: B	DWG. NO. MDC-5MR-BM-ZZ	REV: C
SCALE: 2:1	WEIGHT:	SHEET 1 OF 1